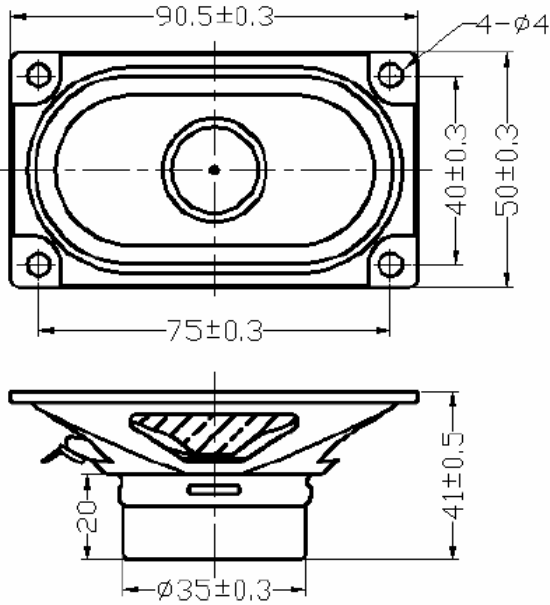


2"x3.5" Full Range

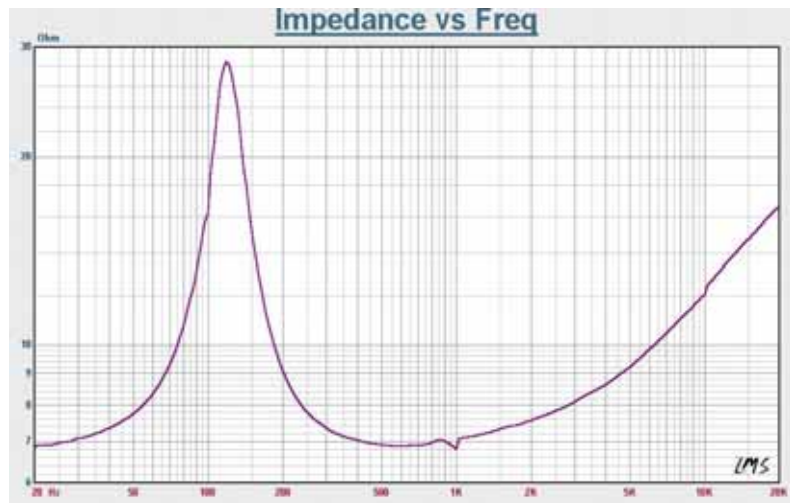


Model :UY5090B8-11F



**Specifications
&
Thiele/Small Parameters**

| | |
|--|---------------------------|
| Impedance | : 8 Ohm |
| Minimum Frequency Response | : 120 Hz |
| Reproduction Frequency Response | : F ₀ ~20K |
| S.P.L. | : 83 dB/W(m) |
| Rated Input | : 5 W |
| Music Power | : 10 W |
| Equivalent Diaphragm Radius | : 37.5X18 mm |
| Equivalent Mass | : 1.556g |
| Net Weight | : 135 g |
| F_s | : 120.419 Hz |
| R_e | : 6.7 Ohm |
| M_{ms} | : 1.775g |
| BL | : 2.769 |
| Q_{ts} | : 0.888 |
| Q_{ms} | : 3.643 |
| Q_{es} | : 1.174 |
| V_{as} | : 0.575 Ltr |
| X_{max} | : 1.5 mm |
| no | : 0.136 % |
| Material | Frame : Fe |
| | Cone : PAPER |
| | Surround : PU |
| | Damper : COTTON |
| | VC DIA : 0.8" |
| | Magnet : NEODYMIUM |



GUIDE-SOUND INDUSTRIES CO.,LTD

E-Mail: Tsaichunchang@yahoo.com.tw

Welcome Inquiry&Orders For OEM&ODM