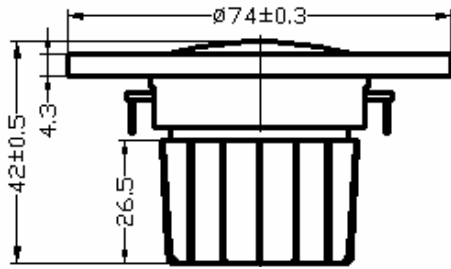
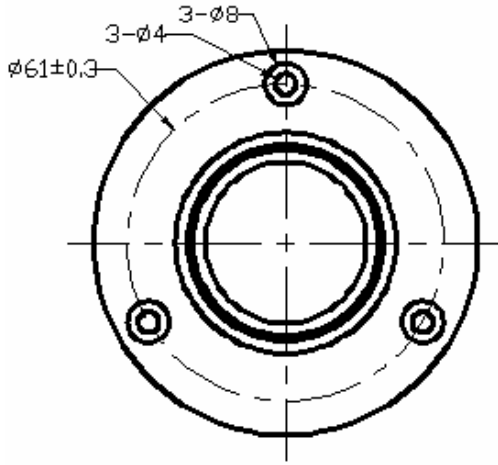


1" Neodymium Dome Tweeter

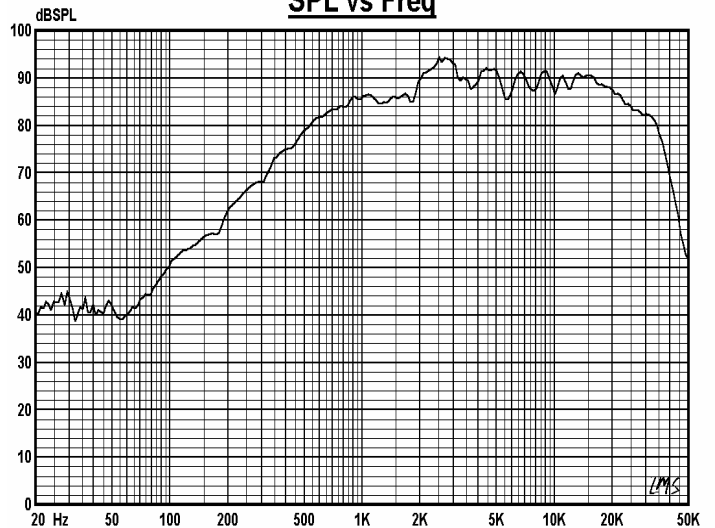
Model :UR74B4-13T



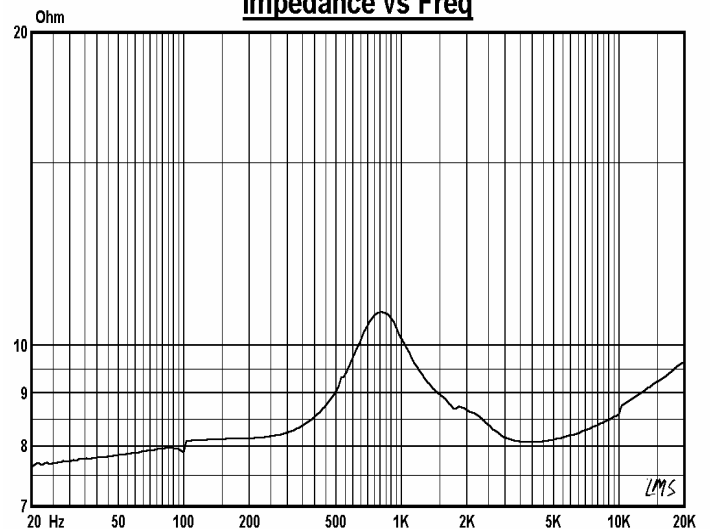
Specifications & Thiele/Small Parameters

Impedance	: 4 Ohm
Minimum Frequency Response	: 800Hz
Reproduction Frequency Response	: Fo~25K
S.P.L.	: 90dB/W(m)
Rated Input	: 15W
Music Power	: 20W
Equivalent Diagram Radius	:
Equivalent Mass	:
Magnet Weight	:
Net Weight	: 70 g
Fs	: 800.01Hz
Re	: 3.0 Ohm
Mms	:
BL	:
Qts	:
Qms	:
Qes	:
Vas	:
Xmax	: 0.05mm
no	:
Material	Frame : ABS
	Cone : SILK
	Surround : SILK
	Damper :
	VC DIA : 1"
Magner	: NEODYMIUM

SPL vs Freq



Impedance vs Freq



GUIDE-SOUND INDUSTRIES CO.,LTD

E-Mail: Tsaichunchang@yahoo.com.tw

Welcome Inquiry&Orders For OEM&ODM