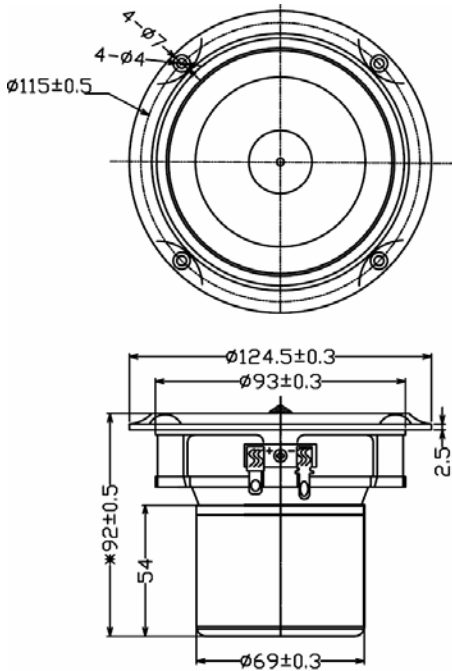


## Woofer

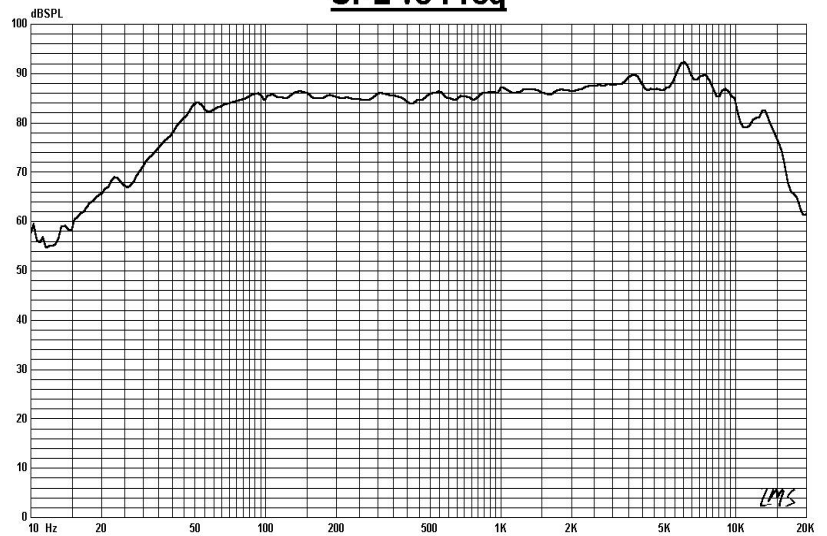
Model :UR124B6-14M



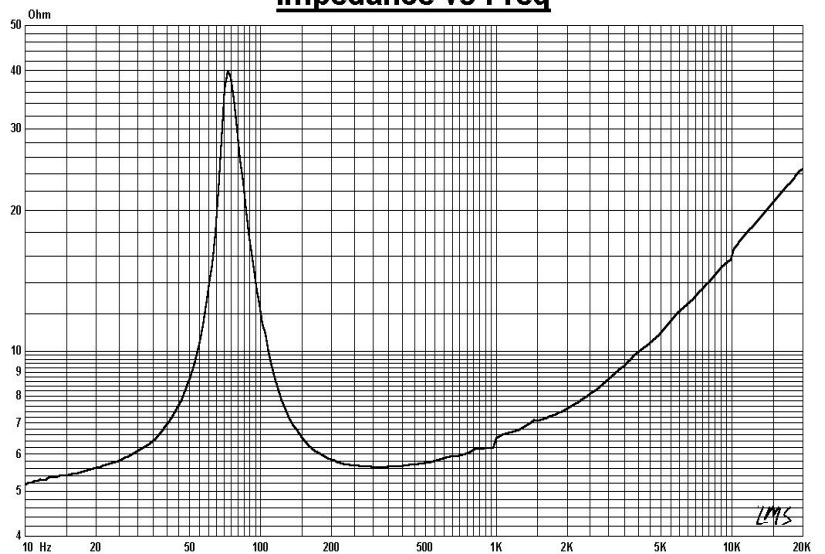
### Specifications & Thiele/Small Parameters

Impedance	: 6 Ohm	
Minimum Frequency Response	: 75 Hz	
Reproduction Frequency Response	: Fo~10K	
S.P.L.	: 86.697 dB/W(m)	
Rated Input	: 15 W	
Music Power	: 25 W	
Equivalent Diaphragm Radius	: 45mm	
Equivalent Mass	: 4.270 g	
Magnet Weight	: 350 g	
Net Weight	: 1300 g	
Fs	: 75.850 Hz	
Re	: 5.0 Ohm	
Mms	: 4.593 g	
BL	: 3.479 TM	
Qts	: 0.773	
Qms	: 5.326	
Qes	: 0.904	
Vas	: 6.294 Ltr	
Xmax	: 2.1 mm	
no	: 0.294%	
Material	Frame	: Cast
	Cone	: Wooden
	Surround	: Rubber
	Damper	: Conex+Cotton (4Hole)
	VC DIA	: 25 KAP 0.17 SV
	Magnet	: ALNiCo 44.5×30
	Short Ring	: Cu Ring
Center Cap	: AL Phase Plug (Gold)	

### SPL vs Freq



### Impedance vs Freq



GUIDE-SOUND INDUSTRIES CO.,LTD

E-Mail: Tsaichunchang@yahoo.com.tw

Welcome Inquiry&Orders For OEM&ODM