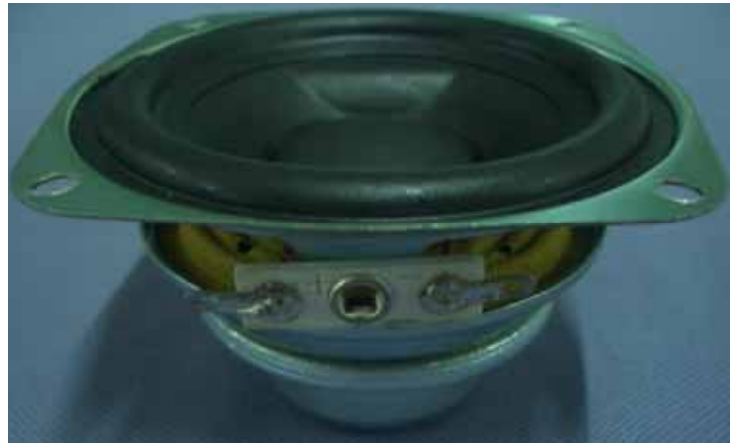
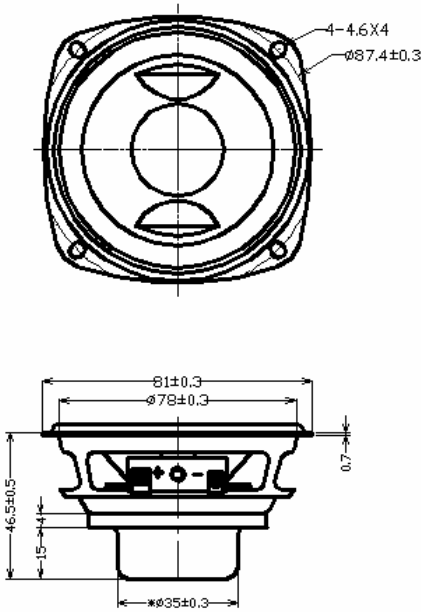


## RCG Cone

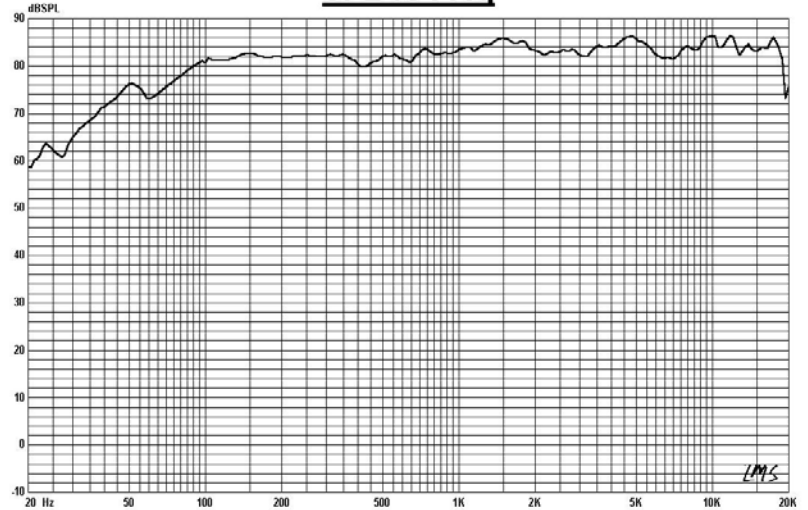
MODEL: UP81W6-11M



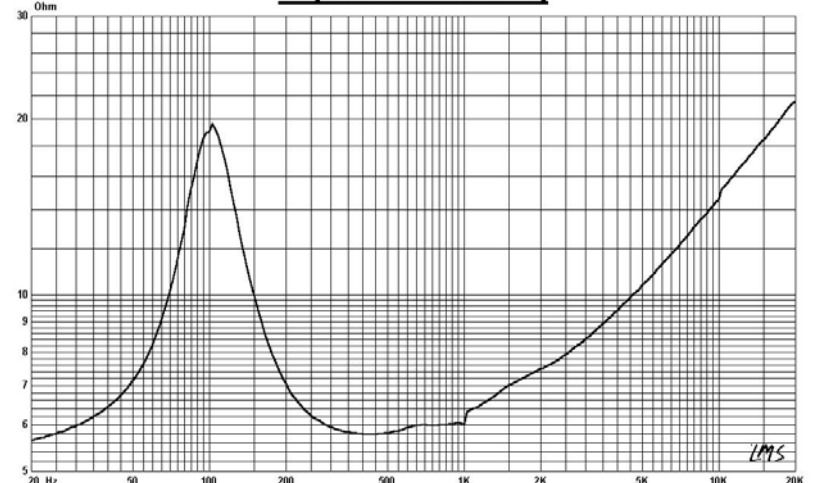
### Specifications & Thiele/Small Parameter

Impedance	: 6 Ohm
Minimum Frequency Response	: 103Hz
Reproduction Frequency Response	: Fo~18K
S.P.L.	: 83.448 dB/W(m)
Rated Input	: 15 W
Music Power	: 20 W
Equivalent Diaphragm Radius	: 33 mm
Equivalent Mass	: 2.981 g
Magnet Weight	: 32.9g
Net Weight	: 170g
Fs	: 103.038Hz
Re	: 5.0 Ohm
Mms	: 3.085 g
BL	: 3.416 TM
Qts	: 0.625
Qms	: 2.313
Qes	: 0.856
Vas	: 1.124 Ltr
Xmax	: 1.6 mm
no	: 0.139%
Material	Frame : Fe
	Cone : Paper (RCG)
	Surround : Rubber
	Damper : Conex+Cotton (4Hole)
	VC DIA : 25.5 KSV 0.2 CCAW
Magnet	: Neodyminun Φ24×10mm

**SPL vs Freq**



**Impedance vs Freq**



GUIDE-SOUND INDUSTRIES CO.,LTD

E-Mail: Tsaichunchang@yahoo.com.tw

Welcome Inquiry&Orders For OEM&ODM