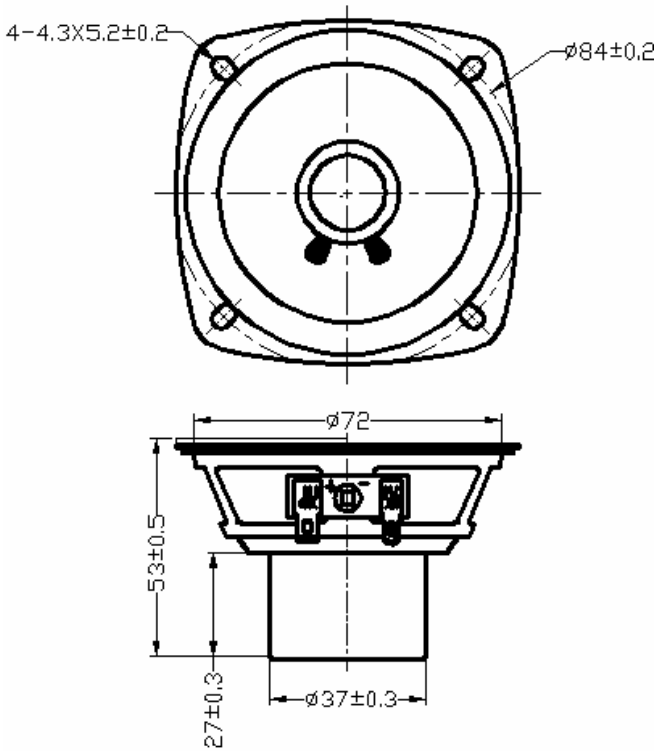


3" FULL RANGE

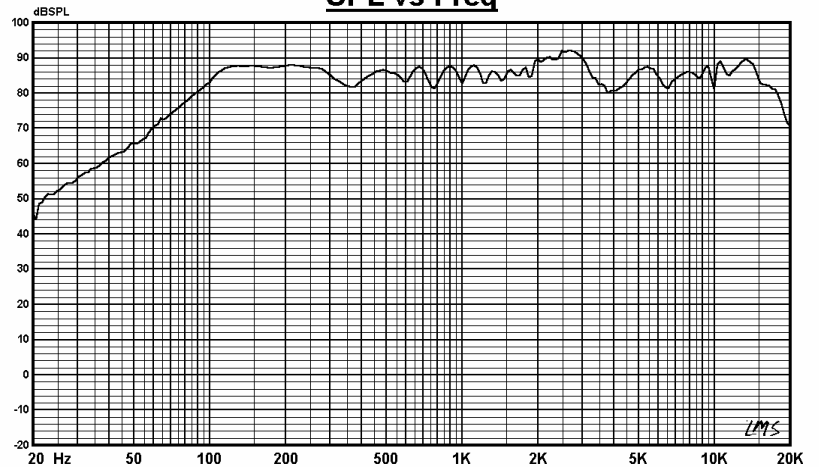
MODEL : UP78B8-12F



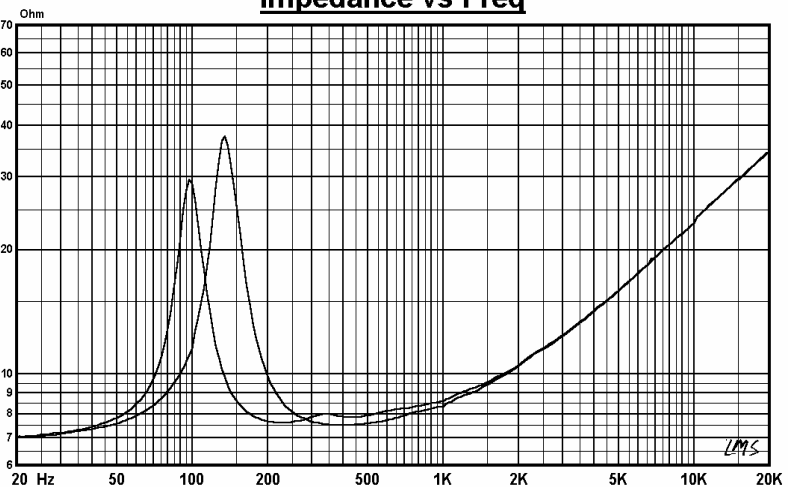
Specifications & Thiele/Small Parameters

Impedance	: 8 Ohm
Minimum Frequency Response	: 133Hz
Reproduction Frequency Response	: Fo~20 K
S.P.L.	: 85.424dB/W(m)
Rated Input	: 15W
Music Power	: 20W
Equivalent Diaphragm Radius	: 31 mm
Equivalent Mass	: 1.799g
Net Weight	: 215 g
Fs	: 133.63 Hz
Re	: 6.8 Ohm
Mms	: 1.903 g
BL	: 3.061 TM
Qts	: 0.95
Qms	: 5.257
Qes	: 1.159
Vas	: 1.052 Ltr
Xmax	: 1.0 mm
no	: 0.219 %
Material	Frame : Fe
	Cone : PAPER
	Surround : FABRIC
	Damper : COTTON
	VC DIA : 0.7"
	Magnet : NEODYMIUM

SPL vs Freq



Impedance vs Freq



GUIDE-SOUND INDUSTRIES CO.,LTD

E-Mail: tsaichunchang@yahoo.com.tw

Welcome Inquiry&Orders For OEM&ODM