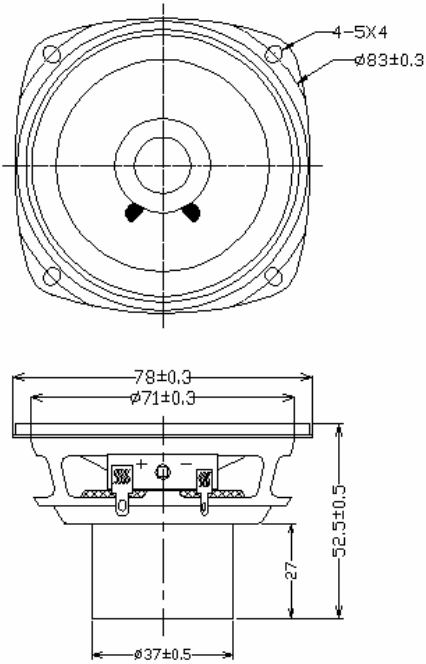


FULL RANGE

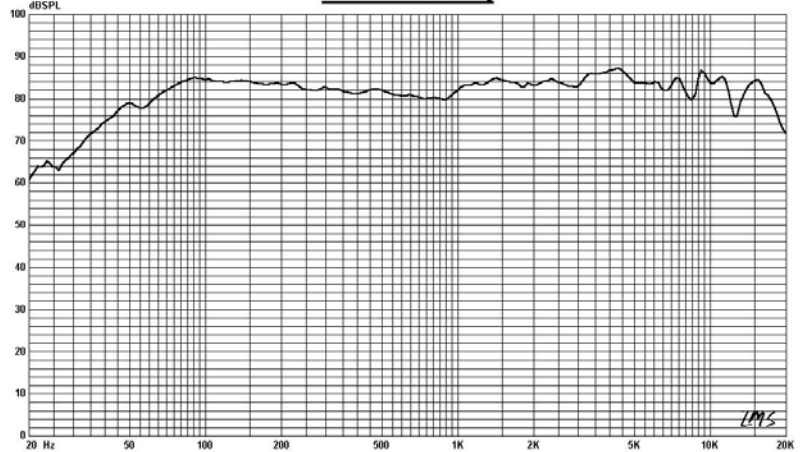
MODEL : UP78B4-11F



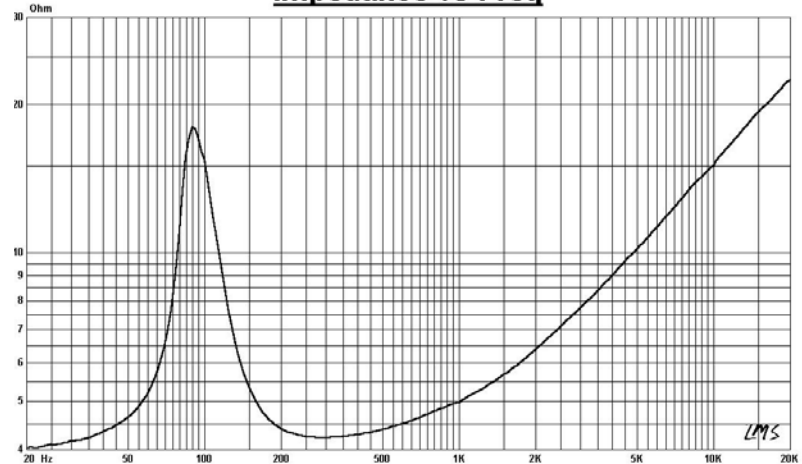
Specifications & Thiele/Small Parameters

Impedance	: 4 Ohm
Minimum Frequency Response	: 94 Hz
Reproduction Frequency Response	: Fo~20 K
S.P.L.	: 84.287dB/W(m)
Rated Input	: 15W
Music Power	: 20W
Equivalent Diaphragm Radius	: 31 mm
Equivalent Mass	: 1.969 g
Net Weight	: 220 g
Fs	: 94.660 Hz
Re	: 3.6 Ohm
Mms	: 2.073 g
BL	: 2.145 TM
Qts	: 0.760
Qms	: 3.581
Qes	: 0.965
Vas	: 1.983 Ltr
Xmax	: 1.0 mm
no	: 0.169 %
Material	Frame : Fe
	Cone : Paper
	Surround : Fabric
	Damper : Conex
	VC DIA : 0.7"
Magnet	: TILE NEODYMIUMx8

SPL vs Freq



Impedance vs Freq



GUIDE-SOUND INDUSTRIES CO.,LTD
 E-Mail: Tsaichunchang@yahoo.com.tw
 Welcome Inquiry&Orders For OEM&ODM