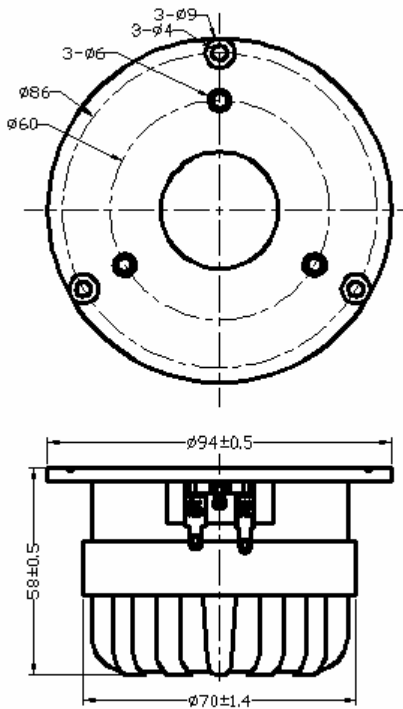


1.1" Soft Dome Horn Tweeter

MODEL:MT-4094

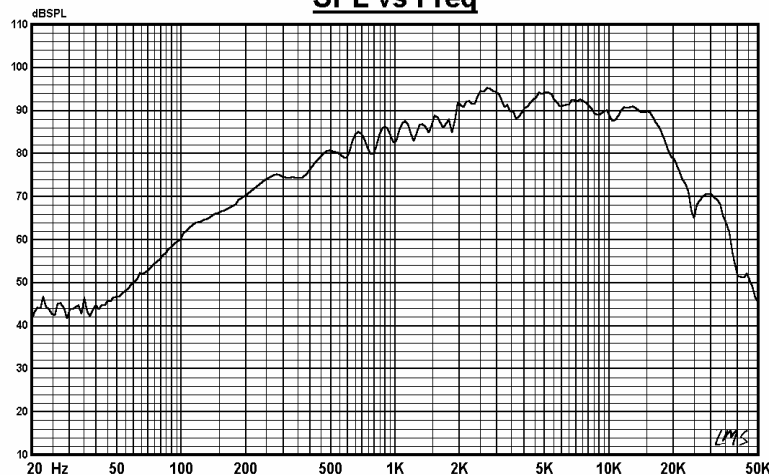
(HR94B6-11T)



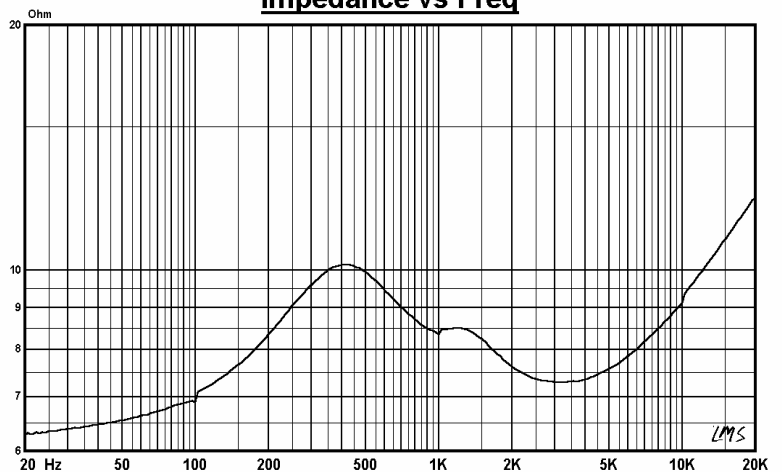
Specifications & Thiele/Small Parameters

Impedance	: 6 Ohm
Minimum Frequency Response	: 400 Hz
Reproduction Frequency Response	: Fo~20K
S.P.L.	: 91 dB/W(m)
Rated Input	: 20 W
Music Power	: 30 W
Equivalent Diaphragm Radius	: mm
Equivalent Mass	:
Magnet Weight	: 228 g
Net Weight	: 510 g
Fs	: 405Hz
Re	: 5.6 Ohm
Mms	:
BL	:
Qts	:
Qms	:
Qes	:
Vas	:
Xmax	: 0.05 mm
no	:
Material	Frame : ABS
	Cone : Silk
	Surround : Silk
	Damper :
	VC DIA : 11/8"
Magnet	: 8.05 oz

SPL vs Freq



Impedance vs Freq



GUIDE-SOUND INDUSTRIES CO.,LTD

E-Mail: Tsaichunchang@yahoo.com.tw

Welcome Inquiry&Orders For OEM&ODM