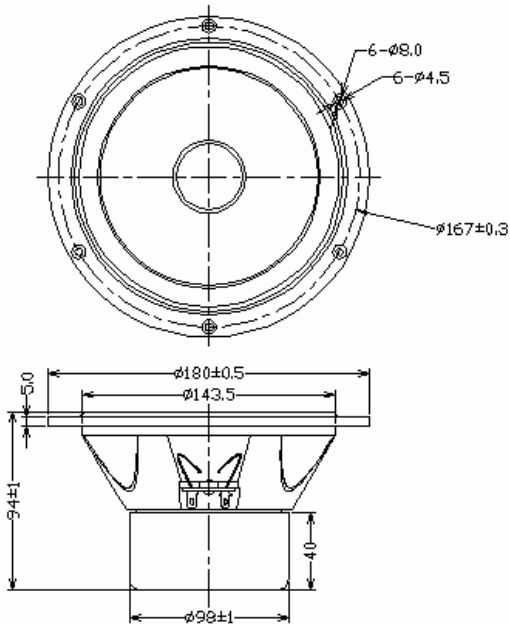


## Shielded Woofer

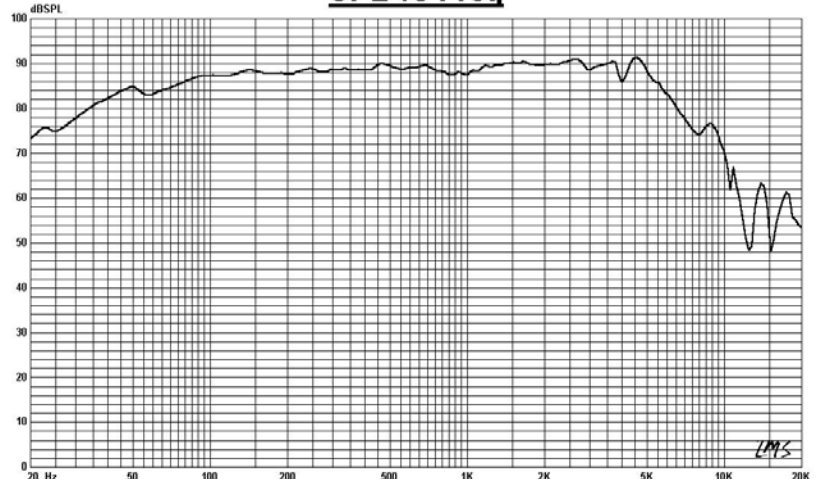
Model :HR1806-16L



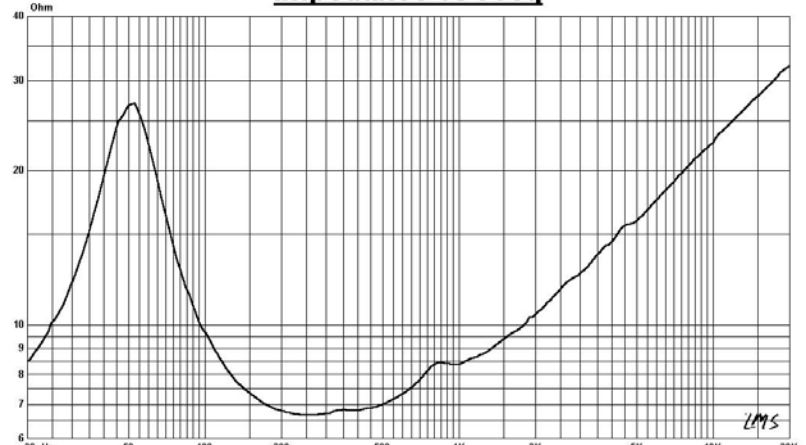
## Specifications & Thiele/Small Parameter

Impedance	: 6 Ohm
Minimum Frequency Response	: 50 Hz
Reproduction Frequency Response	: Fo~8K
S.P.L.	: 88.616 dB/W(m)
Rated Input	: 30 W
Music Power	: 40 W
Equivalent Diaphragm Radius	: 65 mm
Equivalent Mass	: 11.035 g
Magnet Weight	: g
Net Weight	: 1680 g
Fs	: 50.778 Hz
Re	: 5.6 Ohm
Mms	: 11.877 g
BL	: 6.260 TM
Qts	: 0.422
Qms	: 1.917
Qes	: 0.542
Vas	: 19.545 Ltr
Xmax	: mm
no	: 0.457 %
Material	Frame : Cast
	Cone : Paper
	Surround : Rubber
	Damper : Conex
	VC DIA : 1"
Magnet	: Ferrite

**SPL vs Freq**



**Impedance vs Freq**



GUIDE-SOUND INDUSTRIES CO.,LTD

E-Mail: [Tsaichunchang@yahoo.com.tw](mailto:Tsaichunchang@yahoo.com.tw)

Welcome Inquiry&Orders For OEM&ODM