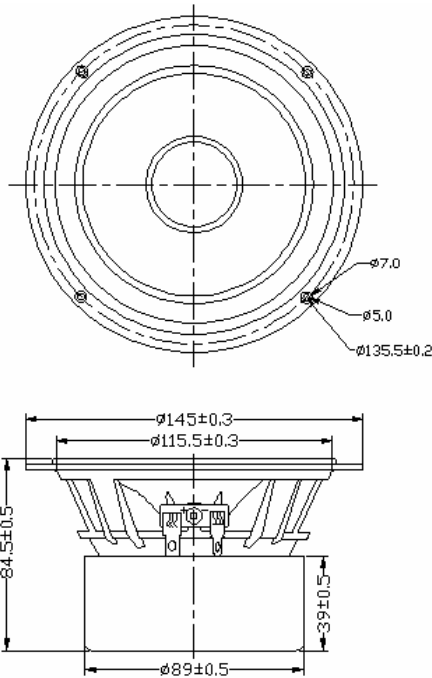


Shielded Woofer

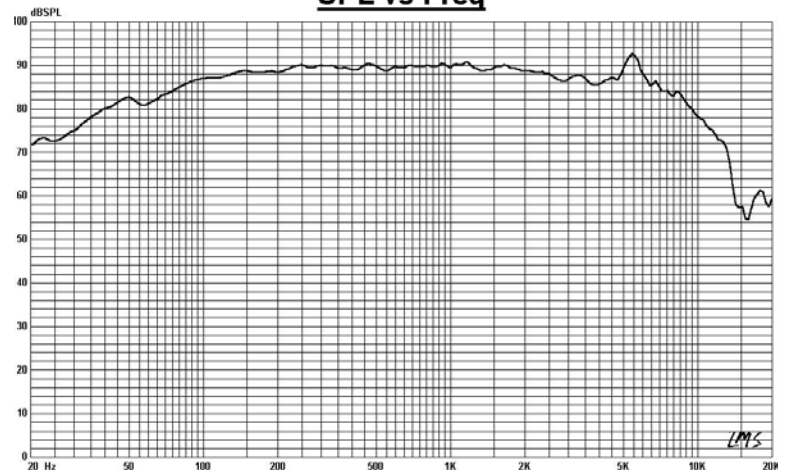
Model :HR145B8-12L



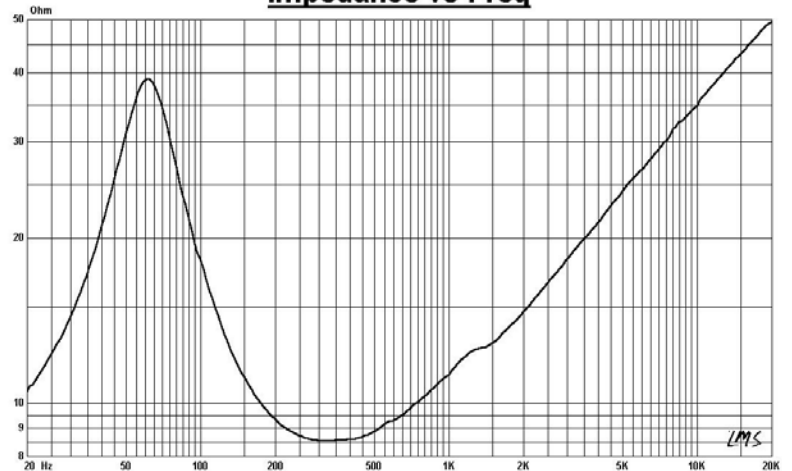
Specifications & Thiele/Small Parameter

Impedance	: 8 Ohm
Minimum Frequency Response	: 60 Hz
Reproduction Frequency Response	: Fo~12K
S.P.L.	: 89.436 dB/W(m)
Rated Input	: 30 W
Music Power	: 40 W
Equivalent Diaphragm Radius	: 53 mm
Equivalent Mass	: 9.333 g
Magnet Weight	: g
Net Weight	: 1340 g
Fs	: 60.668 Hz
Re	: 6.8 Ohm
Mms	: 8.514 g
BL	: 7.378 TM
Qts	: 0.335
Qms	: 1.920
Qes	: 0.405
Vas	: 10.359 Ltr
Xmax	: mm
no	: 0.552 %
Material	Frame : Cast
	Cone : Paper
	Surround : Rubber
	Damper : Conex
	VC DIA : 1"
Magnet	: Ferrite

SPL vs Freq



Impedance vs Freq



GUIDE-SOUND INDUSTRIES CO.,LTD

E-Mail: Tsaichunchang@yahoo.com.tw

Welcome Inquiry&Orders For OEM&ODM