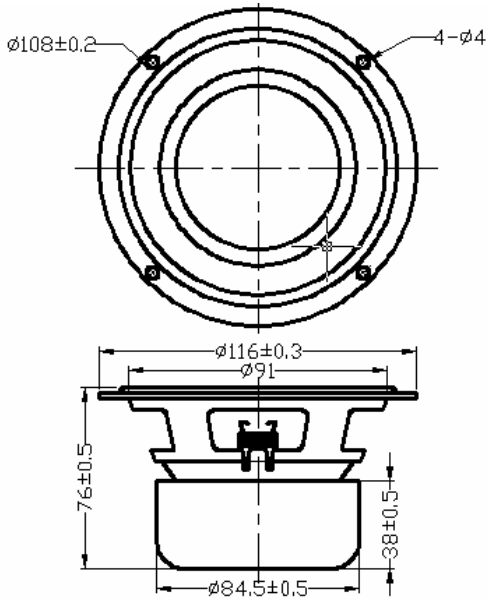


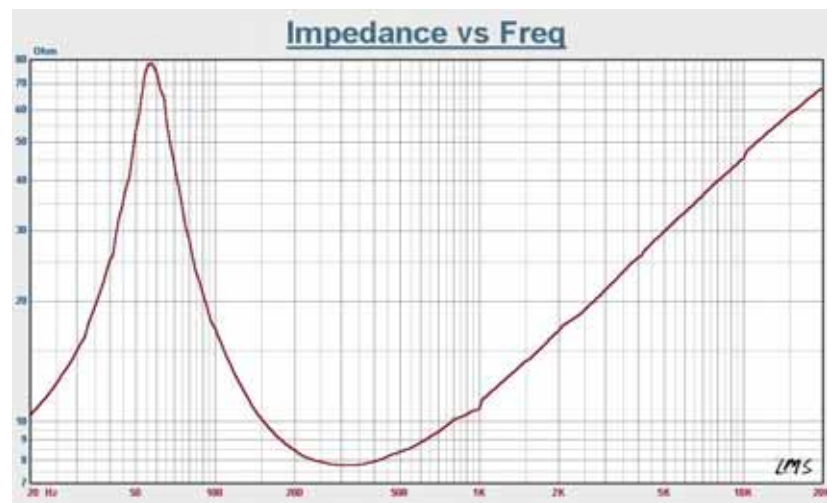
# 4" MID-Woofer

Model :HR116B6-13L



## Specifications & Thiele/Small Parameter

Impedance	: 6 Ohm
Minimum Frequency Response	: 58.3Hz
Reproduction Frequency Response	: Fo~14K
S.P.L.	: 86.4 dB/W(m)
Rated Input	: 20 W
Music Power	: 30 W
Equivalent Diaphragm Radius	: 41 mm
Equivalent Mass	: 6.826 g
Magnet Weight	: 370 g
Net Weight	: 950g
Fs	: 58.318Hz
Re	: 5.6 Ohm
Mms	: 7.148 g
BL	: 6.977 TM
Qts	: 0.277
Qms	: 3.452
Qes	: 0.301
Vas	: 4.314 Ltr
Xmax	: 3mm
no	: 0.275%
Material	Frame : Fe
	Cone : AL (Coating)
	Surround : RUBBER
	Damper : CONEX
	VC DIA : 1"
Magnet	: 8.05 OZ 5.02OZ



GUIDE-SOUND INDUSTRIES CO.,LTD

E-Mail: [Tsaichunchang@yahoo.com.tw](mailto:Tsaichunchang@yahoo.com.tw)

Welcome Inquiry&Orders For OEM&ODM