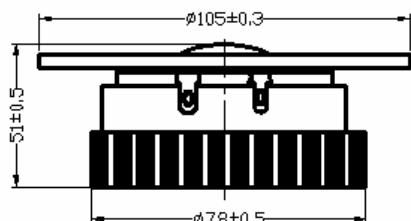
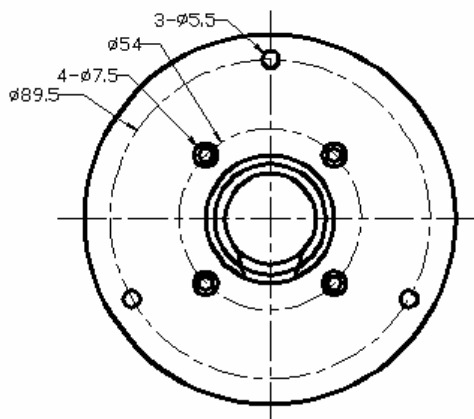


1.1" Compact Dome Tweeter

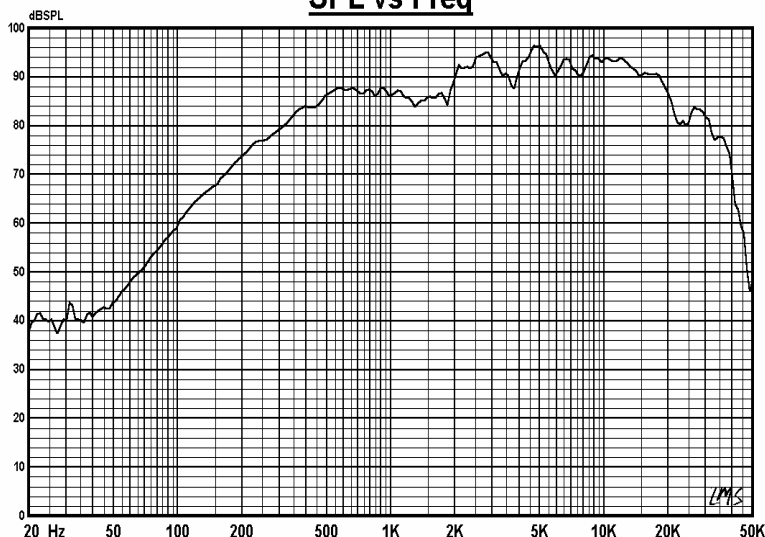
MODEL:HR104B8-15T



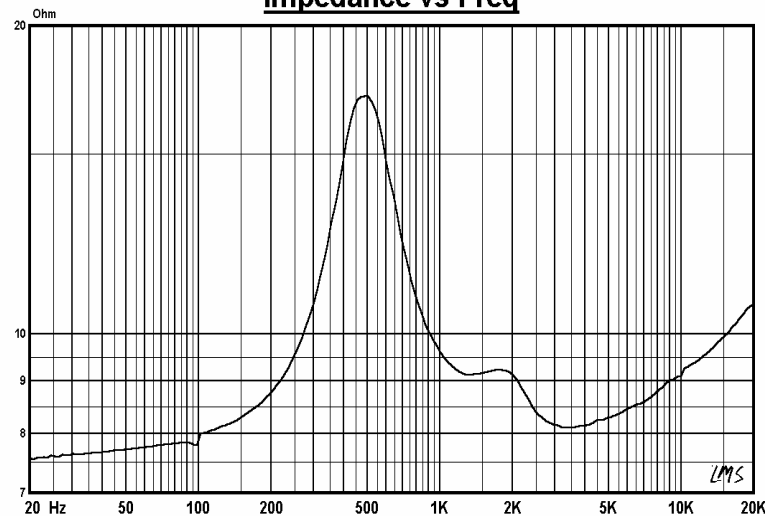
Specifications & Thiele/Small Parameters

Impedance	: 8 Ohm	
Minimum Frequency Response	: 499 Hz	
Reproduction Frequency Response	: Fo~27K	
S.P.L.	: 91 dB/W(m)	
Rated Input	: 20 W	
Music Power	: 30 W	
Equivalent Diaphragm Radius	: mm	
Equivalent Mass	:	
Magnet Weight	: 228 g	
Net Weight	: 560g	
Fs	: 499.5 Hz	
Re	: 7.2 Ohm	
Mms	:	
BL	:	
Qts	:	
Qms	:	
Qes	:	
Vas	:	
Xmax	: 0.05 mm	
no	:	
Material	Frame	: CAST
	Cone	: Silk
	Surround	: Silk
	Damper	:
	VC DIA	: 1.1"
Magnet	: 8.05 oz	

SPL vs Freq



Impedance vs Freq



GUIDE-SOUND INDUSTRIES CO.,LTD

E-Mail: Tsaichunchang@yahoo.com.tw

Welcome Inquiry&Orders For OEM&ODM