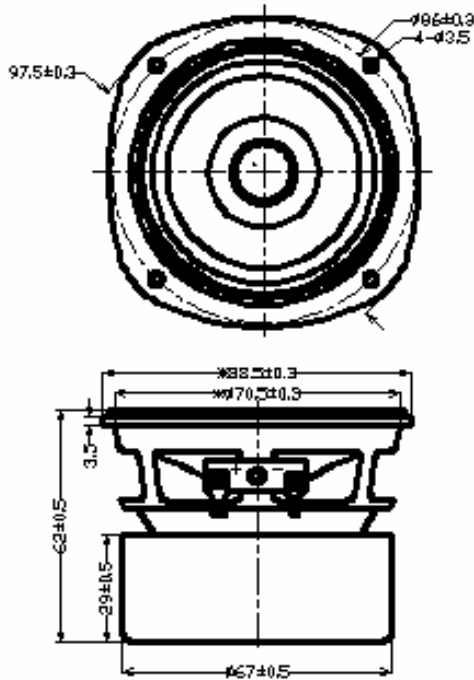


# Full Range Speaker Unit

Model : HP89B8-11F



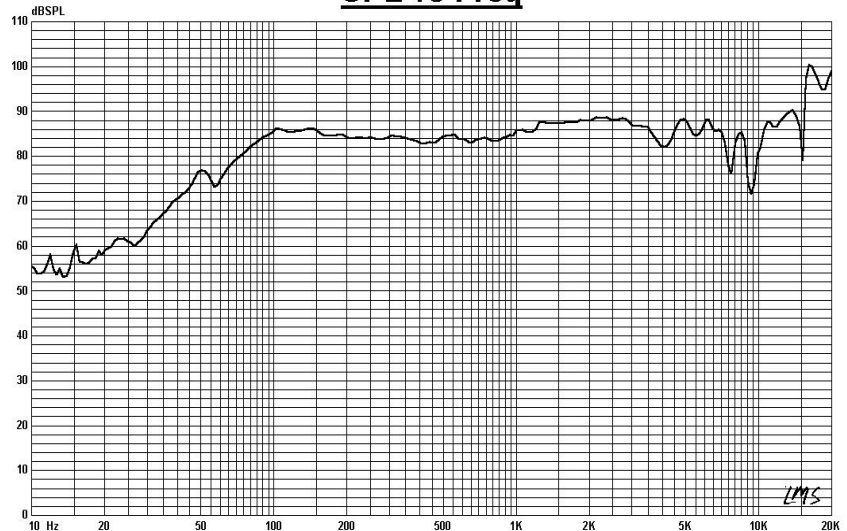
## Specifications

&

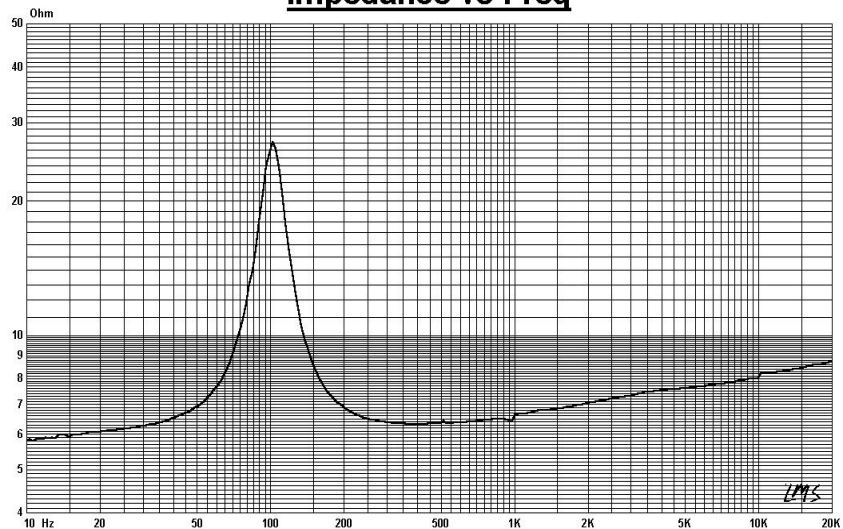
### Thiele/Small Parameters

|                                 |                                   |
|---------------------------------|-----------------------------------|
| Impedance                       | : 8 Ohm                           |
| Minimum Frequency Response      | : 102 Hz                          |
| Reproduction Frequency Response | : F <sub>0</sub> ~20KHz           |
| S.P.L.                          | : 83.106 dB/W(m)                  |
| Rated Input                     | : 10 W                            |
| Music Power                     | : 15 W                            |
| Equivalent Diaphragm Radius     | : 30mm                            |
| Equivalent Mass                 | : 1.946 g                         |
| Magnet Weight                   | : 150g+81g                        |
| Net Weight                      | : 550g                            |
| F <sub>s</sub>                  | : 102.285 Hz                      |
| R <sub>e</sub>                  | : 6.20 Ohm                        |
| M <sub>ms</sub>                 | : 2.050 g                         |
| BL                              | : 2.330 TM                        |
| Q <sub>ts</sub>                 | : 1.070                           |
| Q <sub>ms</sub>                 | : 4.732                           |
| Q <sub>es</sub>                 | : 1.383                           |
| V <sub>as</sub>                 | : 1.717 Ltr                       |
| X <sub>max</sub>                | : 1.0 mm                          |
| no                              | : 0.100%                          |
| Frame                           | : Fe                              |
| Cone                            | : Paper (White)                   |
| Surround                        | : Foam                            |
| Damper                          | : Conex+Cotton (4Hole)            |
| VC DIA                          | : Φ20 KSV 0.15 CCAW               |
| Magnet                          | : Φ60×Φ24×12 Y30<br>Φ60×Φ32×8 Y30 |
| Short Ring                      | : Cu Cap                          |
| Sub Cone                        | : Paper (White)                   |

### SPL vs Freq



### Impedance vs Freq



GUIDE-SOUND INDUSTRIES CO.,LTD

E-Mail: Tsaichunchang@yahoo.com.tw

Welcome Inquiry&Orders For OEM&ODM