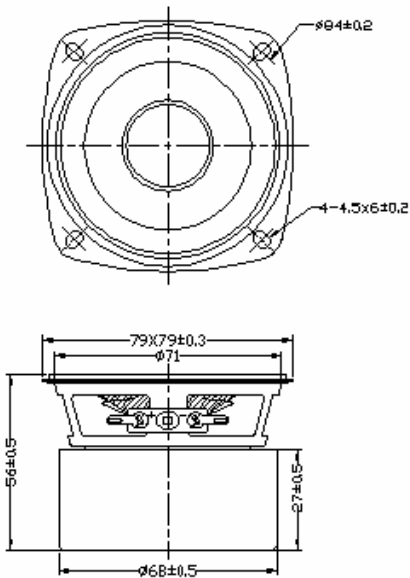


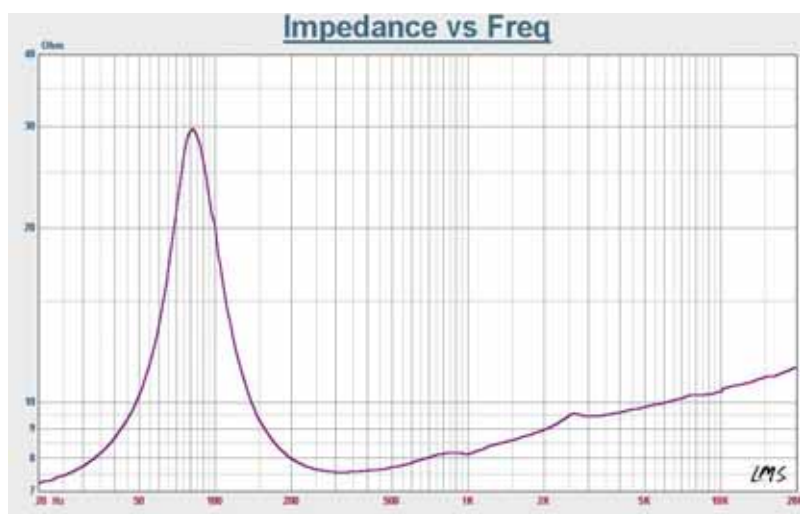
3" FULL RANGE

Model :HP79B8-11F



Specifications & Thiele/Small Parameters

Impedance	: 8 Ohm
Minimum Frequency Response	: 82Hz
Reproduction Frequency Response	: Fo~20K
S.P.L.	: 81.820dB/W(m)
Rated Input	: 10 W
Music Power	: 15 W
Equivalent Diaphragm Radius	: 32 mm
Equivalent Mass	: 2.43
Magnet Weight	: 114 g+63g
Net Weight	: 492 g
Fs	: 82.317Hz
Re	: 6.80 Ohm
Mms	: 3.065g
BL	: 3.282 TM
Qts	: 0.772
Qms	: 3.372
Qes	: 1.001
Vas	: 1.773
Xmax	: 0.5 mm
no	: 0.096%
Material	Frame : Fe
	Cone : Paper
	Surround : Fubber
	Damper : Cotton
	VC DIA : 0.8"
Magnet	: 4.27 OZ 2.23 OZ



GUIDE-SOUND INDUSTRIES CO.,LTD

E-Mail: Tsaichunchang@yahoo.com.tw

Welcome Inquiry&Orders For OEM&ODM