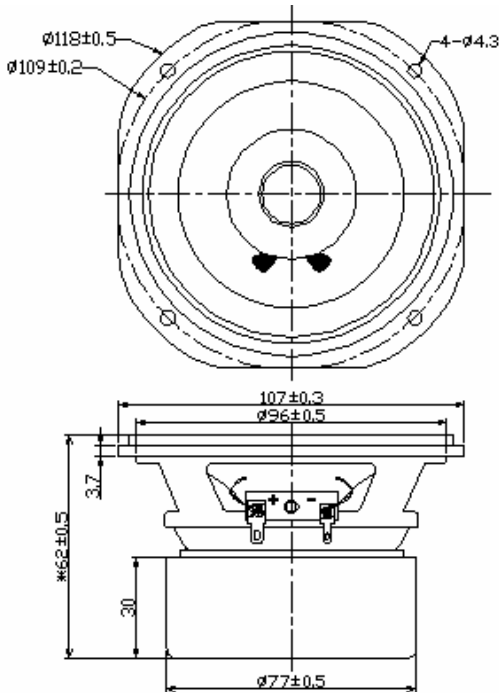


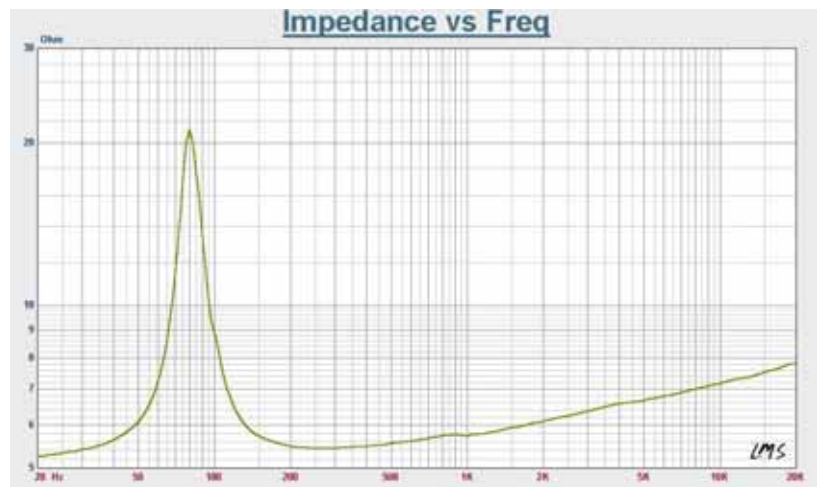
# 4" Full Range Speaker Unit

Model :HB107B6-11F



## Specifications & Thiele/Small Parameters

Impedance	: 6 Ohm
Minimum Frequency Response	: 81Hz
Reproduction Frequency Response	: Fo~20KHz
S.P.L.	: 86.656 dB/W(m)
Rated Input	: 12 W
Music Power	: 18 W
Equivalent Diaphragm Radius	: 41mm
Equivalent Mass	: 3.98 g
Magnet Weight	: 183g+81g
Net Weight	: 640g
Fs	: 81.132 Hz
Re	: 5.00Ohm
Mms	: 3.506 g
BL	: 2.099 TM
Qts	: 1.512
Qms	: 5.946
Qes	: 2.028
Vas	: 7.207 Ltr
Xmax	: 1.0mm
no	: 0.184%
Material	Frame : Fe
	Cone : Paper
	Surround : Foam
	Damper : Cotton
	VC DIA : 0.8"
Magnet	: 6.4 oz+2.8 oz



GUIDE-SOUND INDUSTRIES CO.,LTD  
 E-Mail: [Tsaichunchang@yahoo.com.tw](mailto:Tsaichunchang@yahoo.com.tw)  
 Welcome Inquiry&Orders For OEM&ODM