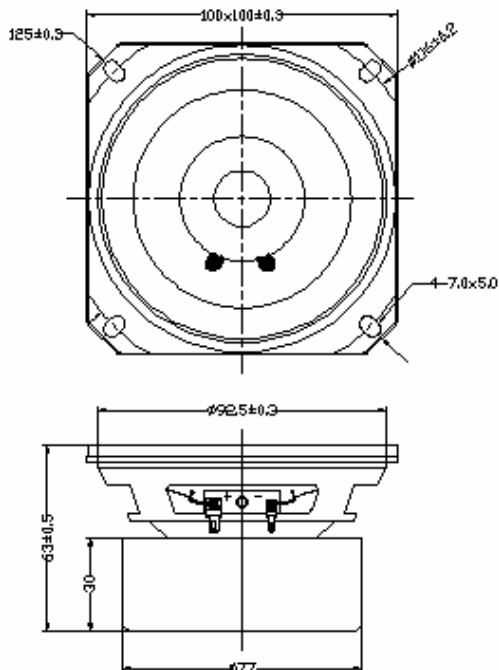


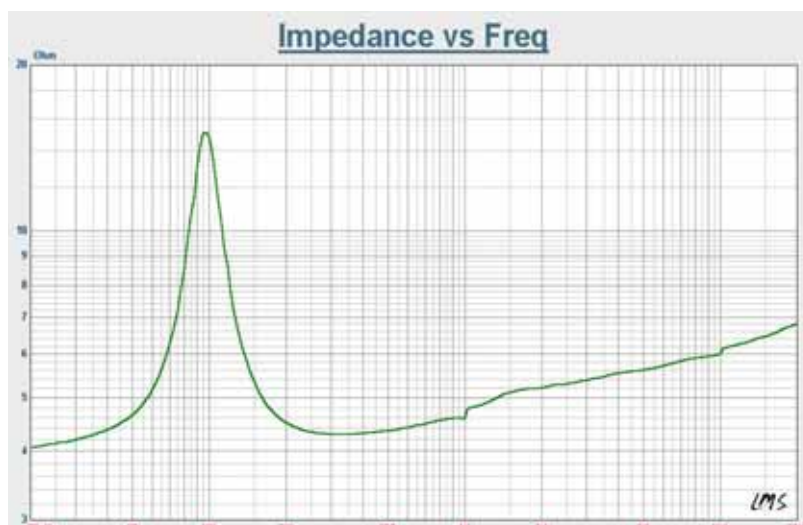
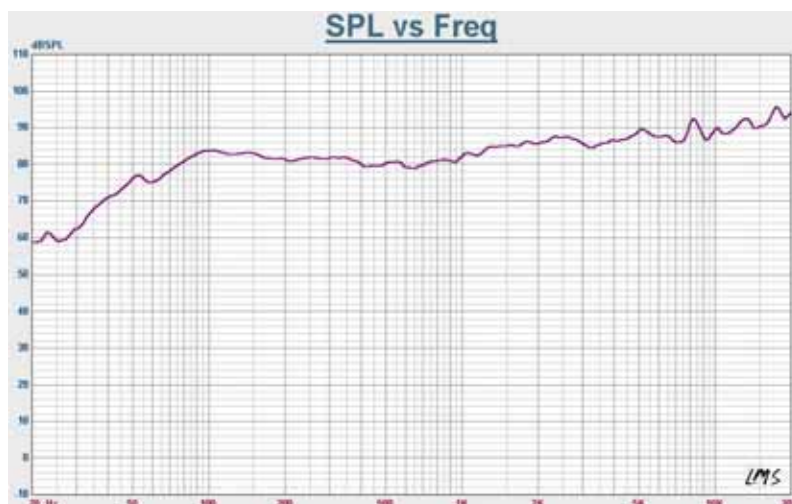
## Full Range

Model :HB100B4-13F



## Specifications & Thiele/Small Parameters

Impedance	: 4 Ohm	
Minimum Frequency Response	: 98Hz	
Reproduction Frequency Response	: Fo~20KHz	
S.P.L.	: 87.153 dB/W(m)	
Rated Input	: 15 W	
Music Power	: 25 W	
Equivalent Diaphragm Radius	: 41mm	
Equivalent Mass	: 3.010g	
Magnet Weight	: 182g+80 g	
Net Weight	: 650 g	
Fs	: 98.126 Hz	
Re	: 3.6 Ohm	
Mms	: 3.332 g	
BL	: 2.257 TM	
Qts	: 1.085	
Qms	: 4.297	
Qes	: 1.452	
Vas	: 5.184m Ltr	
Xmax	: 2.0 mm	
no	: 0.326%	
Material	Frame	: Fe
	Cone	: Paper
	Surround	: Rubber
	Damper	: Conex+Cotton
	VC DIA	: Φ20 KSV 0.2 CCAW
	Magnet	: Φ70×Φ32×12 Y30 Φ60×Φ32×8 Y30
	Short Ring	: Cu Cap
Sub Cone	: Paper (Black)	



GUIDE-SOUND INDUSTRIES CO.,LTD

E-Mail: Tsaichunchang@yahoo.com.tw

Welcome Inquiry&Orders For OEM&ODM