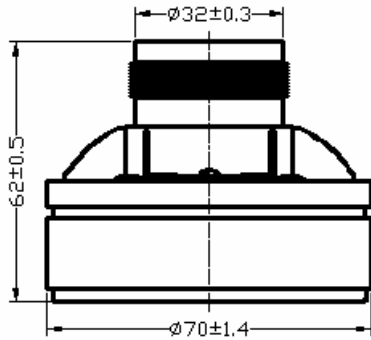
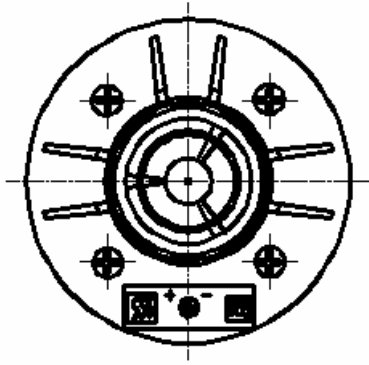


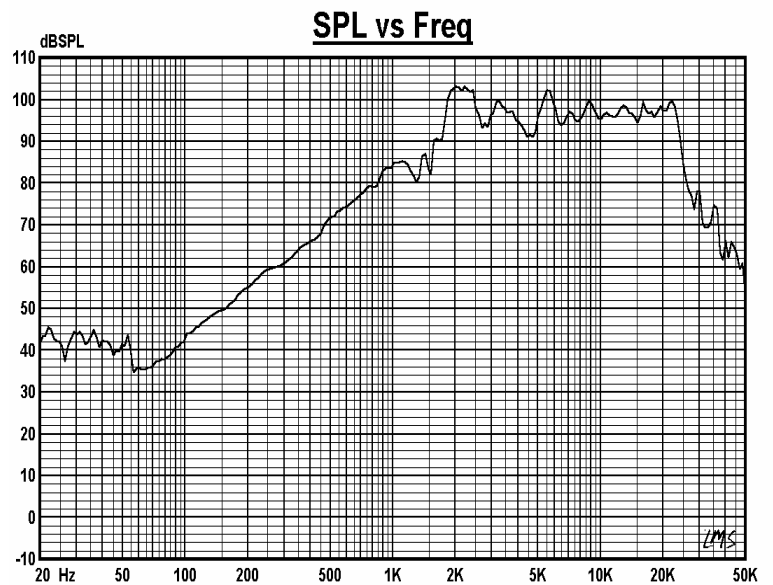
1" HORN TWEETER

Model :FR70B8-10T



Specifications & Thiele/Small Parameters

Impedance	: 8 Ohm	
Minimum Frequency Response	: 2000Hz	
Reproduction Frequency Response	: Fo~25K	
S.P.L.	: 95dB/W(m)	
Rated Input	: 35W	
Music Power	: 50W	
Equivalent Diagram Radius	:	
Equivalent Mass	:	
Magnet Weight	: 228 g	
Net Weight	: 515g	
Fs	:	
Re	: 6.8 Ohm	
Mms	:	
BL	:	
Qts	:	
Qms	:	
Qes	:	
Vas	:	
Xmax	: 0.25mm	
no	:	
Material	Frame	: PPS
	Cone	: Ti
	Surround	: Ti
	Damper	:
	VC DIA	: 1"
Magner	: NEODYMIUM	



HO-SOUND INDUSTRIES CO.,LTD

E-Mail: tsaichunchang@yahoo.com.tw

Welcome Inquiry&Orders For OEM&ODM