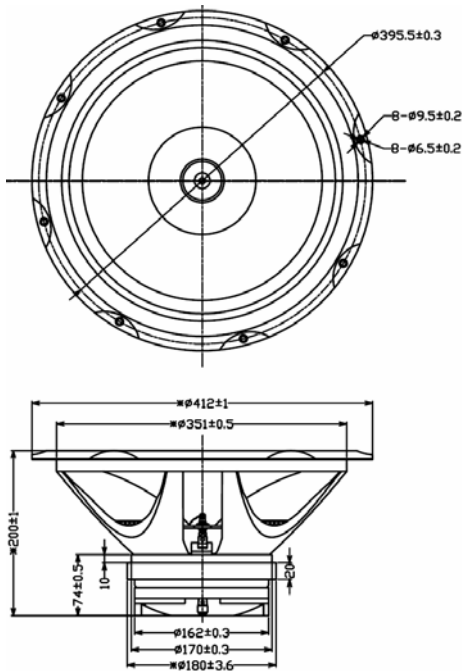


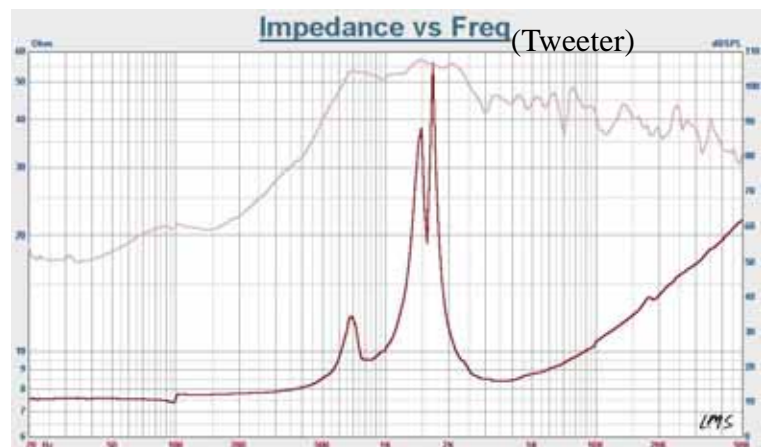
# Full Range Horn

Model :FR412B8-13F



## Specifications & Thiele/Small Parameters

	Woofer	Tweeter
Impedance	8 Ohm	8 Ohm
Minimum Frequency Response	24 Hz	1500 Hz
Reproduction Frequency Response	Fo~12K	Fo~35K
S.P.L.	91.884 dB/W(m)	95 dB/W(m)
Rated Input	50 W	20 W
Music Power	80 W	30 W
Equivalent Diaphragm Radius	160mm	
Equivalent Mass	51.970 g	
Magnet Weight	1950 g	99 g
Net Weight	8350 g	300 g
Fs	24.236 Hz	1500 Hz
Re	6.8 Ohm	6.8 Ohm
Mms	65.079 g	
BL	8.833 TM	
Qts	0.741	
Qms	5.218	
Qes	0.864	
Vas	608.259 Ltr	
Xmax	1 mm	0.05mm
no	0.970 %	
	Woofer	Tweeter
Material	Cast	Cast
Frame	Paper	Titanium
Cone&Dome	Cloth	Titanium
Surround	Conex	
Damper		
VC DIA	KSV 49 0.25 CCAW	KAP 38 0.13 SV
Magnet	180x 80x20 Y30	37.5x12 N35



GUIDE-SOUND INDUSTRIES CO.,LTD

E-Mail: Tsaichunchang@yahoo.com.tw

Welcome Inquiry&Orders For OEM&ODM