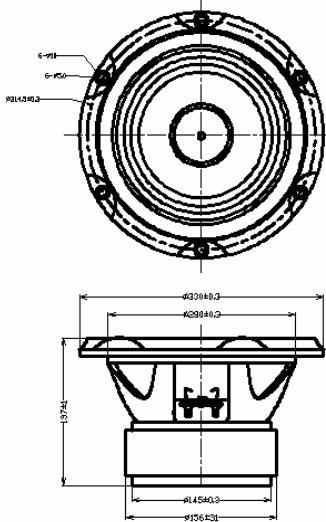


**FULL RANGE**

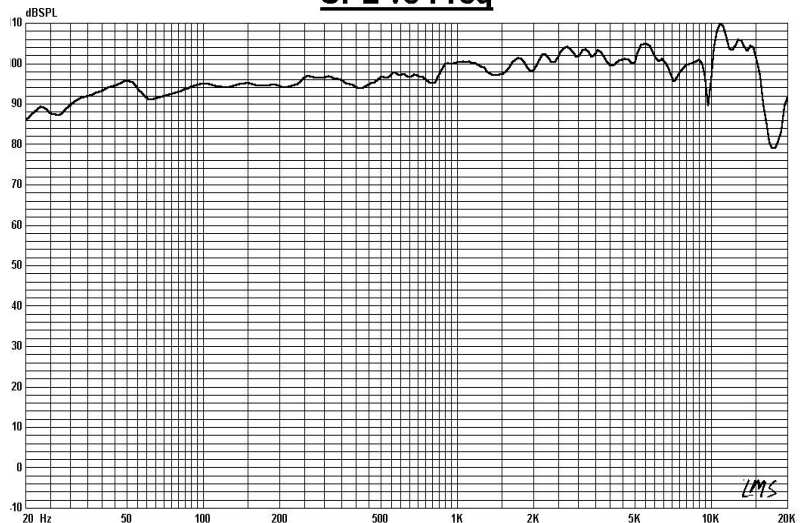
**Model: FR330B8-11F**



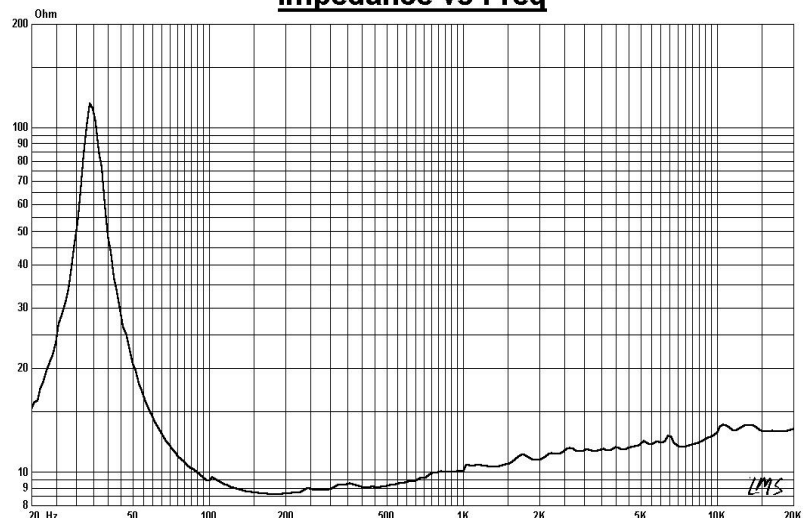
**Specifications**  
&  
**Thiele/Small Parameters**

|  |                         |
|--|-------------------------|
| <b>Impedance</b>                       | : 8 Ohm                 |
| <b>Minimum Frequency Response</b>      | : 34Hz                  |
| <b>Reproduction Frequency Response</b> | : Fo~17K                |
| <b>S.P.L.</b>                          | : 95.553 dB/W(m)        |
| <b>Rated Input</b>                     | : 30W                   |
| <b>Music Power</b>                     | : 45W                   |
| <b>Equivalent Diaphragm Radius</b>     | : 135mm                 |
| <b>Equivalent Mass</b>                 | : 21.785 g              |
| <b>Magnet Weight</b>                   | : 1350 g                |
| <b>Net Weight</b>                      | : 5050g                 |
| <b>Fs</b>                              | : 34.756 Hz             |
| <b>Re</b>                              | : 7.2 Ohm               |
| <b>Mms</b>                             | : 28.330g               |
| <b>BL</b>                              | : 9.592 TM              |
| <b>Qts</b>                             | : 0.458                 |
| <b>Qms</b>                             | : 8.535                 |
| <b>Qes</b>                             | : 0.484                 |
| <b>Vas</b>                             | : 269.105 Ltr           |
| <b>Xmax</b>                            | : 1.0mm                 |
| <b>no</b>                              | : 2.300 %               |
| <b>Material</b>                        | <b>Frame</b> : Cast     |
|  | <b>Cone</b> : PAPER     |
|  | <b>Surround</b> : Cloth |
|  | <b>Damper</b> : CONEX   |
|  | <b>VC DIA</b> : 1.5"    |
|  | <b>Magnet</b> : 47.7OZ  |

**SPL vs Freq**



**Impedance vs Freq**



**GUIDE-SOUND INDUSTRIES CO.,LTD**

E-Mail: [Tsaichunchang@yahoo.com.tw](mailto:Tsaichunchang@yahoo.com.tw)

Welcome Inquiry&Orders For OEM&ODM