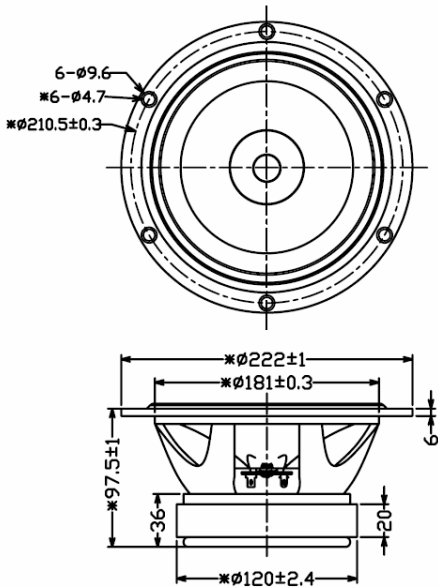


## FULL RANGE

Model: FR222B8-14F



## Specifications & Thiele/Small Parameters

Impedance	: 8 Ohm	
Minimum Frequency Response	: 46Hz	
Reproduction Frequency Response	: Fo~16K	
S.P.L.	: 93.857dB/W(m)	
Rated Input	: 30W	
Music Power	: 45W	
Equivalent Diagram Radius	: 87mm	
Equivalent Mass	: 10.504 g	
Magnet Weight	: 820g	
Net Weight	: 2850g	
Fs	: 46.941 Hz	
Re	: 7.2 Ohm	
Mms	: 12.228 g	
BL	: 8.285 TM	
Qts	: 0.339	
Qms	: 3.234	
Qes	: 0.378	
Vas	: 57.754 Ltr	
Xmax	: 1mm	
no	: 1.527 %	
Material	Frame	: Cast
	Cone&Sub	: Paper
	Surround	: Cloth
	Damper	: Conex
	VC DIA	: $\phi$ 35 KSV 0.18 SV
	Magnet	: $\phi$ 120 $\times$ $\phi$ 60 $\times$ 20 Y30
	Short Ring	: Cu Cap
Center Cap	: AL Phase Plug (Gold)	



GUIDE-SOUND INDUSTRIES CO.,LTD

E-Mail: sales@gui-sound.com

Welcome Inquiry&Orders For OEM&ODM