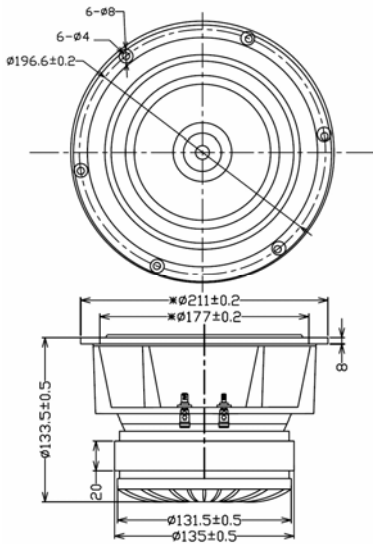


RSR Wood Cone Coaxial

Model :FR211B8-12F



Specifications & Thiele/Small Parameters

	Woofers	Tweeter
Impedance	8 Ohm	6 Ohm
Minimum Frequency Response	50 Hz	2400 Hz
Reproduction Frequency Response	Fo~15K	Fo~50K
S.P.L.	87.341 dB/W(m)	92 dB/W(m)
Rated Input	30 W	20 W
Music Power	40 W	25 W
Equivalent Diaphragm Radius	82mm	
Equivalent Mass	14.975 g	
Magnet Weight	1100 g	8 g
Net Weight	3300 g	40 g
Fs	50.650 Hz	2400 Hz
Re	7.2 Ohm	5.2 Ohm
Mms	16.700 g	
BL	5.344 TM	
Qts	1.023	
Qms	4.331	
Qes	1.340	
Vas	36.32 Ltr	
Xmax	2.15 mm	0.05mm
no	0341%	

	Woofers	Tweeter	
Material	Frame	Cast	ABS
	Cone&Dome	RSR Wood	Titanium
	Surround	RUBBER	Titanium
	DamperGLM	CONEX (4Hole)	
	VC DIA CBC	KAP 38 0.22 SV	KAP 25 0.1 CCAW
	Magnet	135x 60x20	Neodymium

(Coaxial 10.0*2J)



(Woofer)



(Tweeter)



GUIDE-SOUND INDUSTRIES CO.,LTD

E-Mail: Tsaichunchang@yahoo.com.tw

Welcome Inquiry&Orders For OEM&ODM