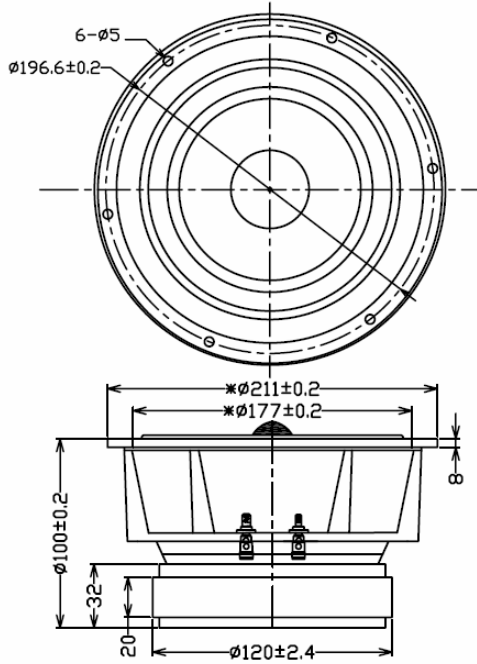


## Full Range

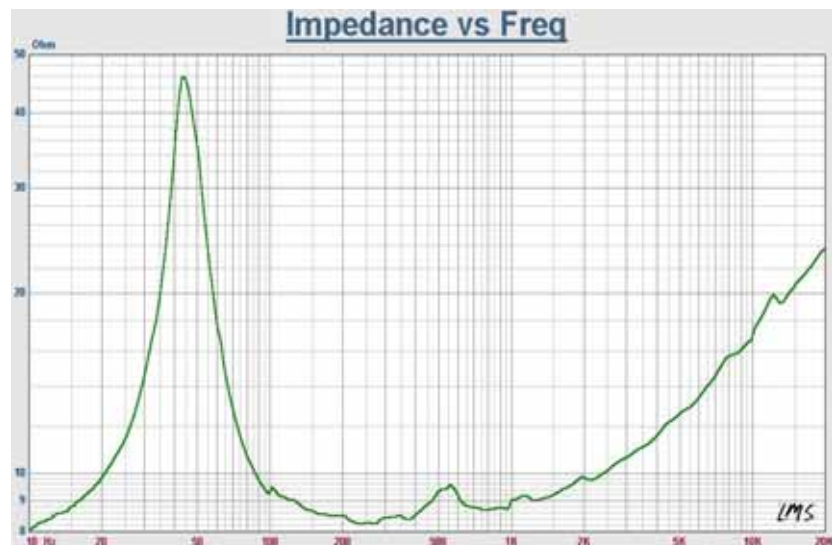
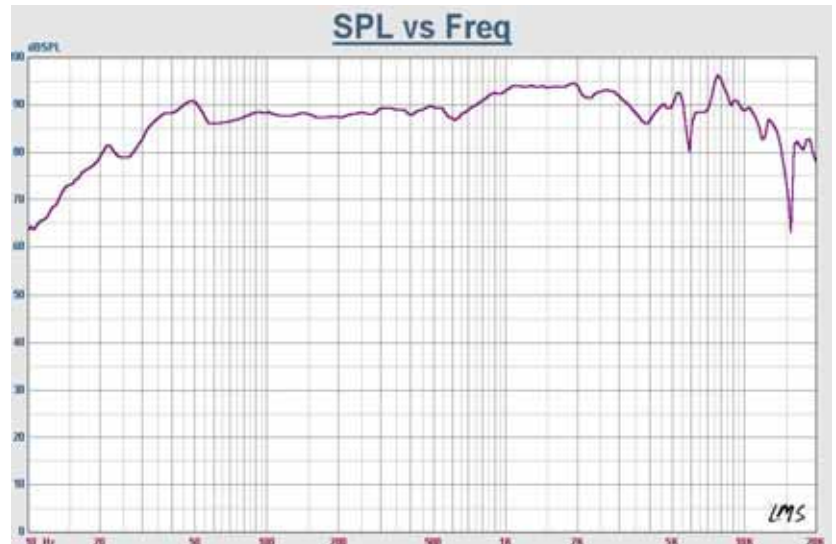


## Model :FR211B8-11F



## Specifications & Thiele/Small Parameters

Impedance	: 8 Ohm	
Minimum Frequency Response	: 44 Hz	
Reproduction Frequency Response	: Fo~15K	
S.P.L.	: 88.190 dB/W(m)	
Rated Input	: 30 W	
Music Power	: 40 W	
Equivalent Diaphragm Radius	: 82mm	
Equivalent Mass	: 18.289g	
Magnet Weight	: 80g	
Net Weight	: 2550g	
Fs	: 44.908 Hz	
Re	: 7.2 Ohm	
Mms	: 20.014 g	
BL	: 7.062 TM	
Qts	: 0.674	
Qms	: 3.883	
Qes	: 0.815	
Vas	: 38.555 Ltr	
Xmax	: 2.15mm	
no	: 0.414%	
Material	Frame	: Cast
	Cone	: Wooden
	Surround	: Rubber
	Damper	: Conex+Cotton (4Hole)
	VC DIA CBC	: 38 KAP 0.21 CCAW
	Magnet	: 120x 60x20 Y30
	Short Ring	: Cu Ring
Center Cap	: AL Phase Plug (Gold)	



GUIDE-SOUND INDUSTRIES CO.,LTD

E-Mail: [Tsaichunchang@yahoo.com.tw](mailto:Tsaichunchang@yahoo.com.tw)

Welcome Inquiry&Orders For OEM&ODM