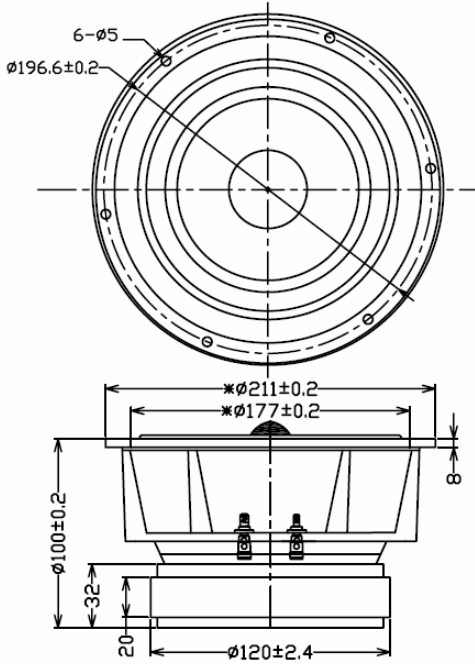


Full Range

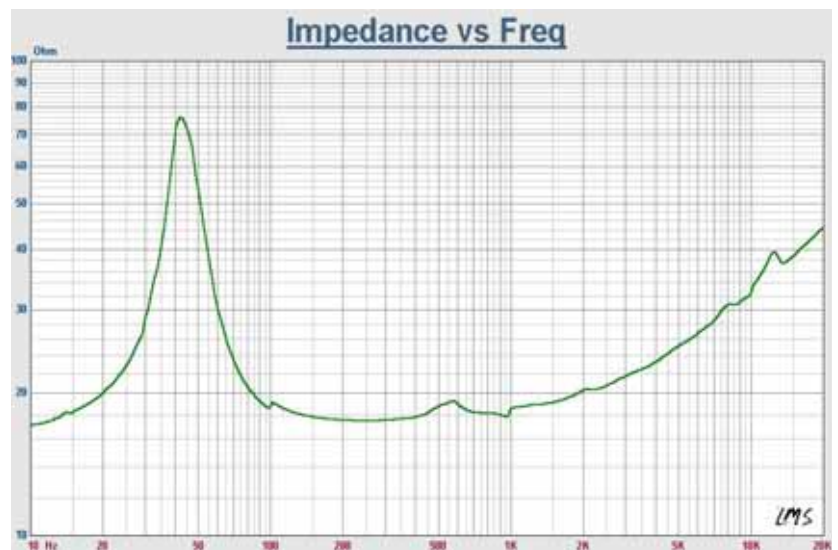


Model :FR211B16-11F



Specifications & Thiele/Small Parameters

Impedance	: 16 Ohm	
Minimum Frequency Response	: 43 Hz	
Reproduction Frequency Response	: Fo~15K	
S.P.L.	: 85.781 dB/W(m)	
Rated Input	: 30 W	
Music Power	: 40 W	
Equivalent Diaphragm Radius	: 82mm	
Equivalent Mass	: 24.883g	
Magnet Weight	: 80g	
Net Weight	: 2550g	
Fs	: 43.445 Hz	
Re	: 15.6 Ohm	
Mms	: 26.608 g	
BL	: 10.473 TM	
Qts	: 0.807	
Qms	: 3.682	
Qes	: 1.033	
Vas	: 30.985 Ltr	
Xmax	: 1.7mm	
no	: 0.238%	
Material	Frame	: Cast
	Cone	: Wooden
	Surround	: Rubber
	Damper	: Conex+Cotton (4Hole)
	VC DIA CBC	: 38 KAP 0.16 CCAW
	Magnet	: 120x 60x20 Y30
	Short Ring	: Cu Ring
Center Cap	: AL Phase Plug (Gold)	



GUIDE-SOUND INDUSTRIES CO.,LTD

E-Mail: Tsaichunchang@yahoo.com.tw

Welcome Inquiry&Orders For OEM&ODM