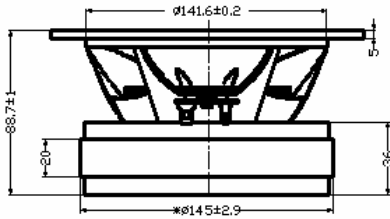
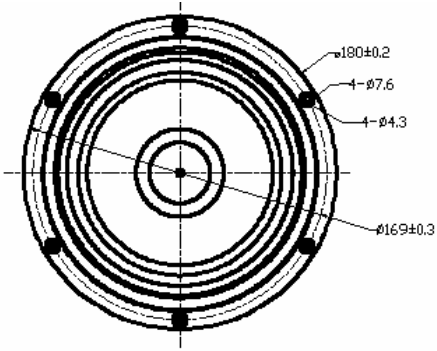


## Full Range

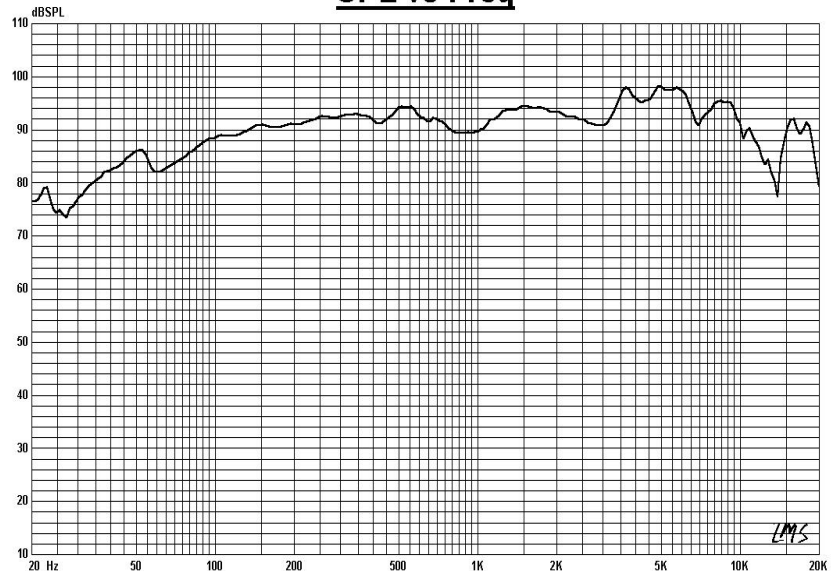
Model:FR180B8-11F



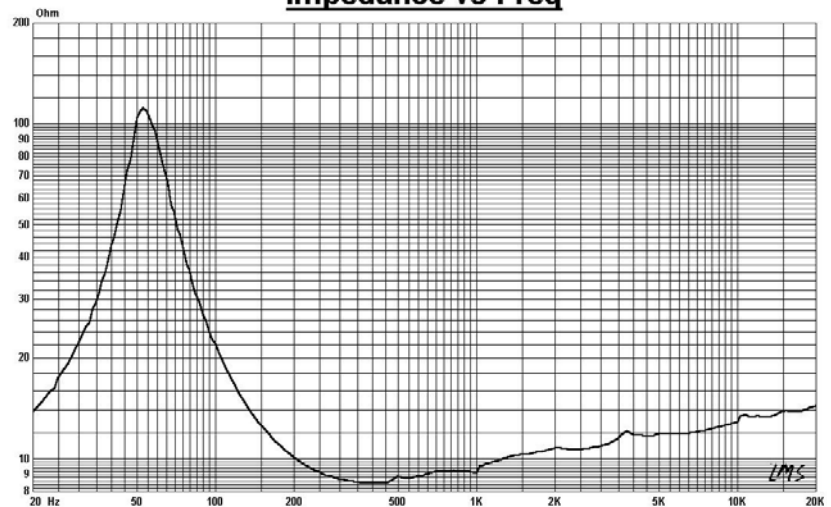
### Specifications & Thiele/Small Parameters

Impedance	: 8 Ohm	
Minimum Frequency Response	: 54 Hz	
Reproduction Frequency Response	: Fo~11K	
S.P.L.	: 94.332 dB/W(m)	
Rated Input	: 30 W	
Music Power	: 50 W	
Equivalent Diaphragm Radius	: 65 mm	
Equivalent Mass	: 5.851 g	
Magnet Weight	: 1150 g	
Net Weight	: 3750 g	
Fs	: 54.738 Hz	
Re	: 7.2 Ohm	
Mms	: 6.694 g	
BL	: 7.724 TM	
Qts	: 0.260	
Qms	: 3.962	
Qes	: 0.278	
Vas	: 29.843 Ltr	
Xmax	: 0.65mm	
no	: 1.704%	
Material	Frame	: AL
	Cone	: Paper
	Surround	: Cloth
	Damper	: Conex
	VC DIA	: Φ30 KSV 0.17 SV
	Magnet	: Φ145×Φ50×20 Y30
	Short Ring	: Cu Cap
Center Cap	: AL Phase Plug (Gold)	

### SPL vs Freq



### Impedance vs Freq



GUIDE-SOUND INDUSTRIES CO.,LTD

E-Mail: [sales@gui-sound.com](mailto:sales@gui-sound.com)

Welcome Inquiry&Orders For OEM&ODM