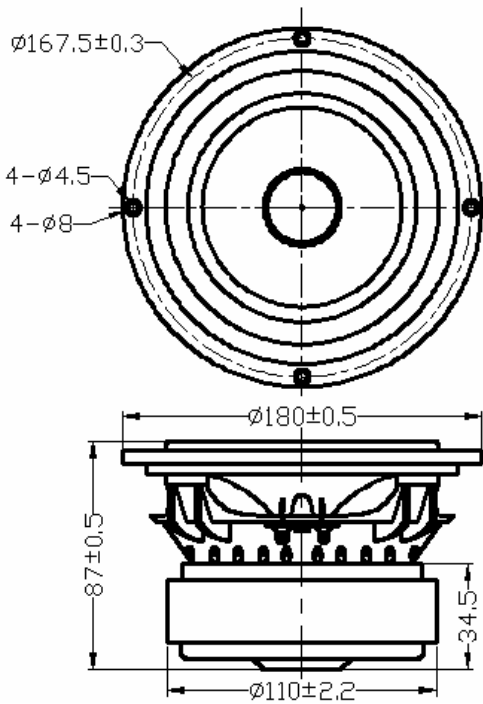


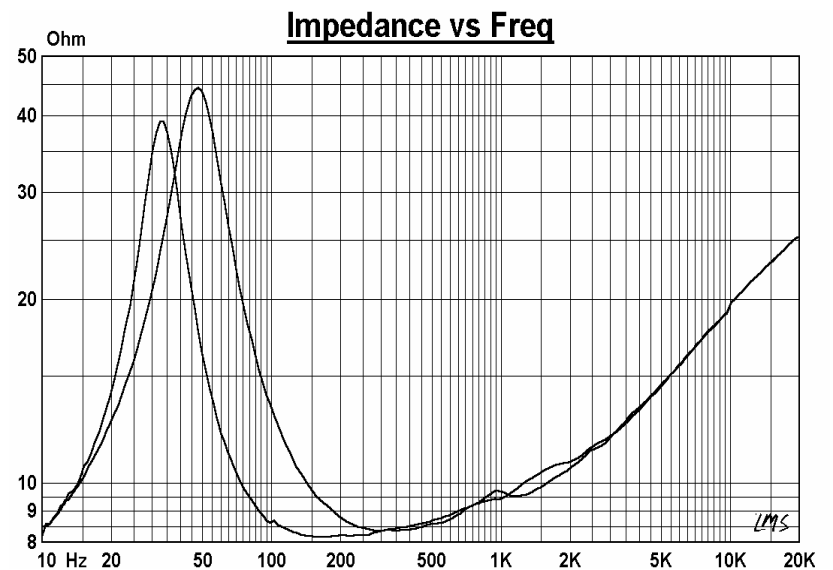
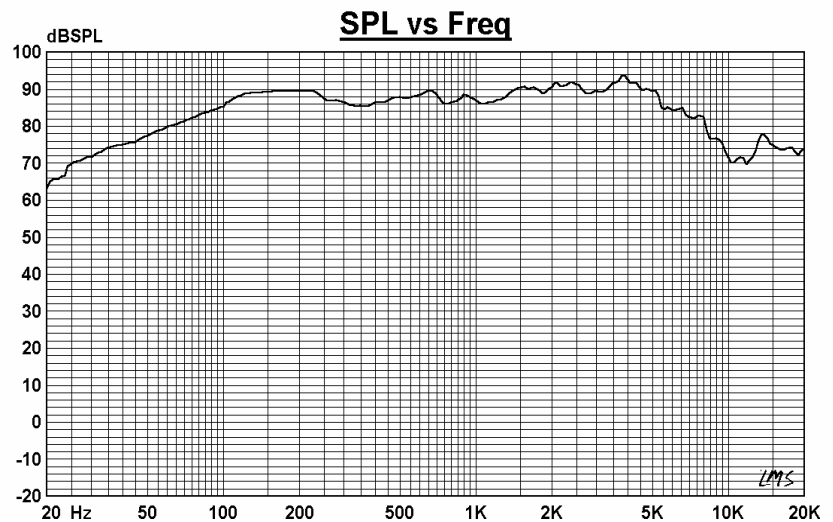
# 7" MID-Woofer

Model :FR180B8-10LG(phase plug gold)  
 FR180B8-10LS (phase pug silver)  
 FR180B8-10LB(phase plug black)



## Specifications & Thiele/Small Parameters

Impedance	: 8 Ohm
Minimum Frequency Response	: 48 Hz
Reproduction Frequency Response	: Fo~9K
S.P.L.	: 87.9 dB/W(m)
Rated Input	: 30 W
Music Power	: 40 W
Equivalent Diaphragm Radius	: 66 mm
Equivalent Mass	: 17.19 g
Magnet Weight	: 672 g
Net Weight	: 1780 g
Fs	: 47.503 Hz
Re	: 7.2 Ohm
Mms	: 17.955 g
BL	: 9.449 TM
Qts	: 0.367
Qms	: 2.063
Qes	: 0.432
Vas	: 12.998 Ltr
Xmax	: 4.5 mm
no	: 0.300%
Material	Frame : ABS
	Cone : BLACK KEVLAR
	Surround : RUBBER
	Damper : CONEX
	VC DIA : 1.5"
	Magnet : 23.7 oz



HO-SOUND INDUSTRIES CO.,LTD

E-Mail: [tsaichunchang@yahoo.com.tw](mailto:tsaichunchang@yahoo.com.tw)

Welcome Inquiry&Orders For OEM&ODM