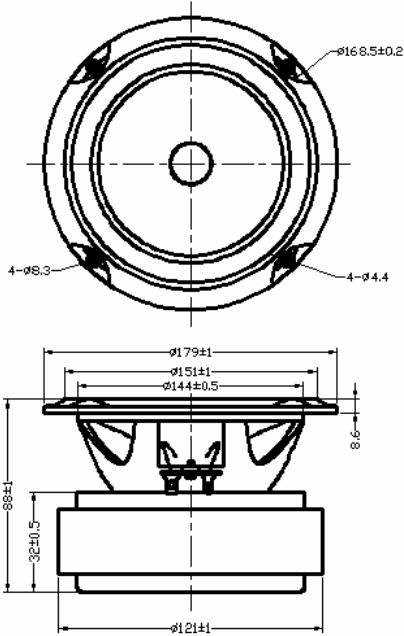


7" Woofer

Model :FR179B8-11M



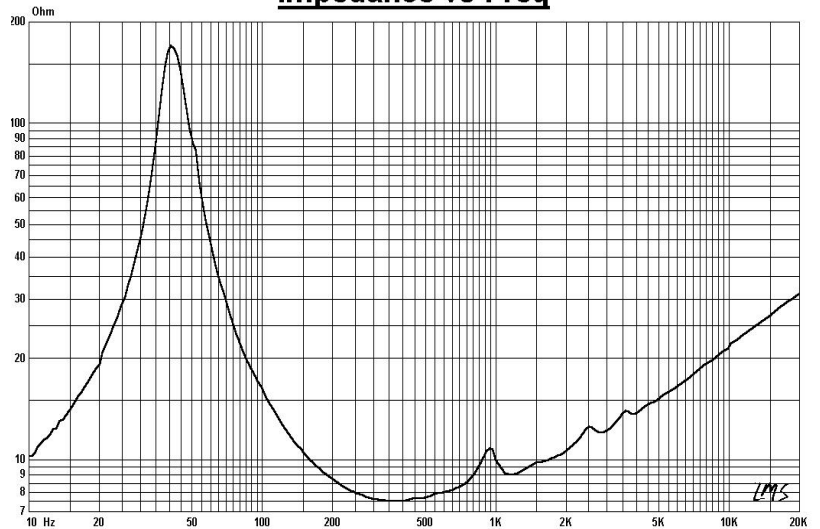
Specifications & Thiele/Small Parameters

Impedance	: 80Ohm
Minimum Frequency Response	: 42Hz
Reproduction Frequency Response	: Fo~15K
S.P.L.	: 92.609 dB/W(m)
Rated Input	: 30 W
Music Power	: 45 W
Equivalent Diaphragm Radius	: 63mm
Equivalent Mass	: 9.392g
Magnet Weight	: 750 g
Net Weight	: 2580g
Fs	: 42.117 Hz
Re	: 6.2Ohm
Mms	: 10.234g
BL	: 8.987TM
Qts	: 0.200
Qms	: 5.358
Qes	: 0.208
Vas	: 32.971Ltr
Xmax	: 4mm
no	: 1.146%
Material	Frame : Cast
	Cone : Wooden
	Surround : RUBBER
	Damper : CONEX
	VC DIA : 35 KAP 0.2 SV
	Magnet : 121X 60X20
	Short Ring : Cu Ring
Center Cap : AL Phase Plug (Gold)	

SPL vs Freq



Impedance vs Freq



GUIDE-SOUND INDUSTRIES CO.,LTD

E-Mail: Tsaichunchang@yahoo.com.tw

Welcome Inquiry&Orders For OEM&ODM