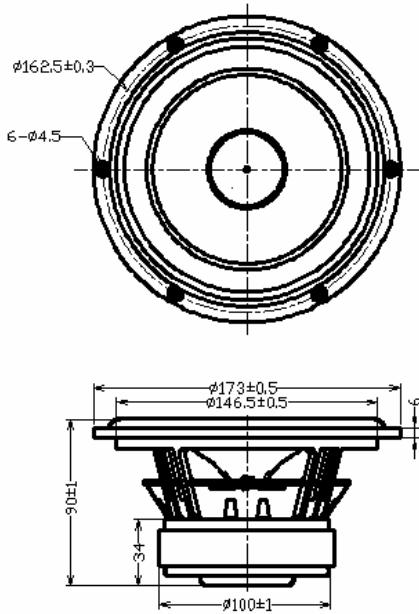


# Woofer

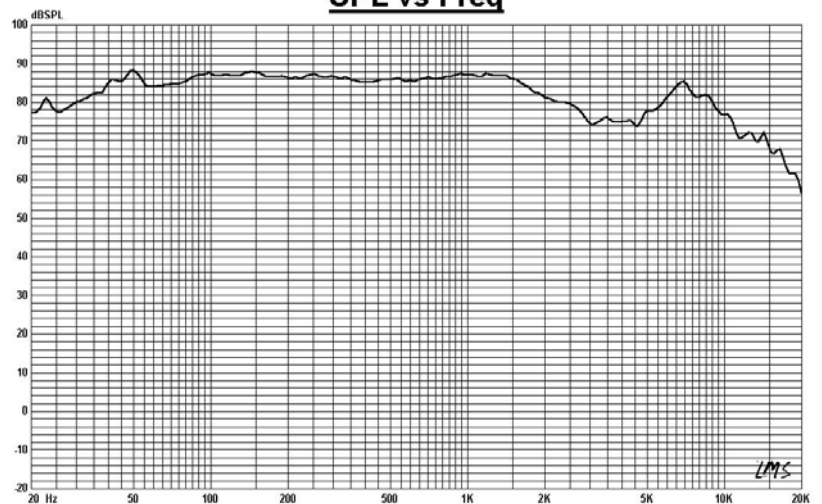
Model :FR173B8-18M



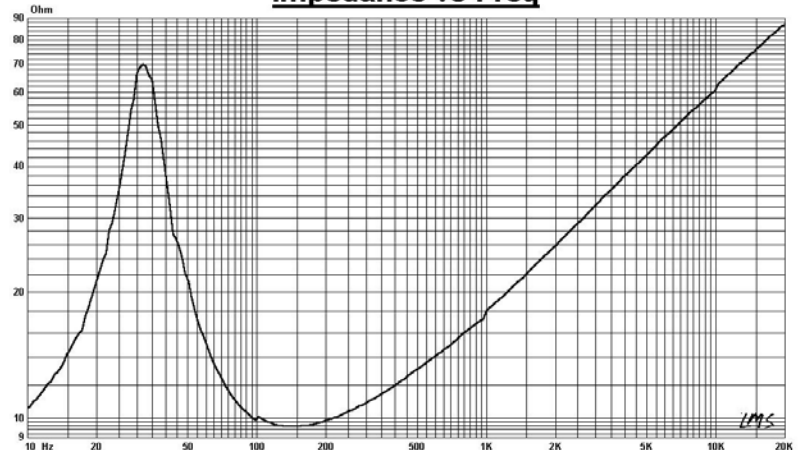
## Specifications & Thiele/Small Parameters

Impedance	: 8 Ohm
Minimum Frequency Response	: 32 Hz
Reproduction Frequency Response	: Fo~10K
S.P.L.	: 85.334 dB/W(m)
Rated Input	: 30 W
Music Power	: 40 W
Equivalent Diaphragm Radius	: 65mm
Equivalent Mass	: 16.28g
Magnet Weight	: 450 g
Net Weight	: 1650g
Fs	: 32.360 Hz
Re	: 8.0 Ohm
Mms	: 23.463 g
BL	: 9.027 TM
Qts	: 0.453
Qms	: 3.528
Qes	: 0.468
Vas	: 24.362 Ltr
Xmax	: 5 mm
no	: 0.200%
Material	Frame : Cast
	Cone : AL(Silver)
	Surround : RUBBER
	Damper : CONEX
	VC DIA : 1.5" (4 Layer)
Magnet	: 15.3 oz

**SPL vs Freq**



**Impedance vs Freq**



GUIDE-SOUND INDUSTRIES CO.,LTD

E-Mail: [Tsaichunchang@yahoo.com.tw](mailto:Tsaichunchang@yahoo.com.tw)

Welcome Inquiry&Orders For OEM&ODM