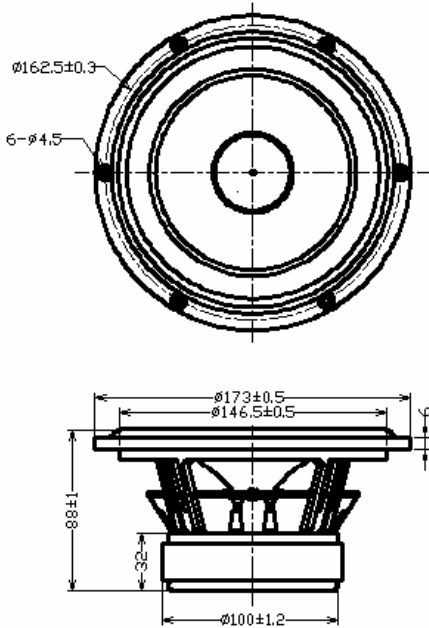


# 7" Woofer

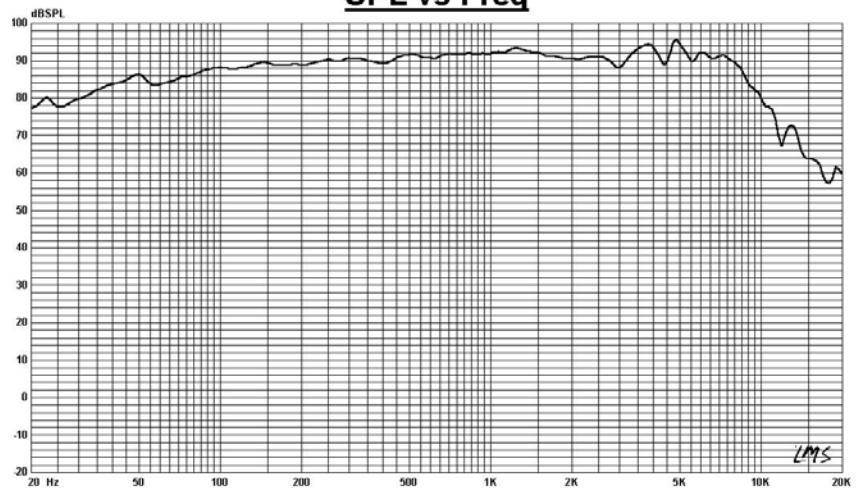
Model :FR173B8-15M



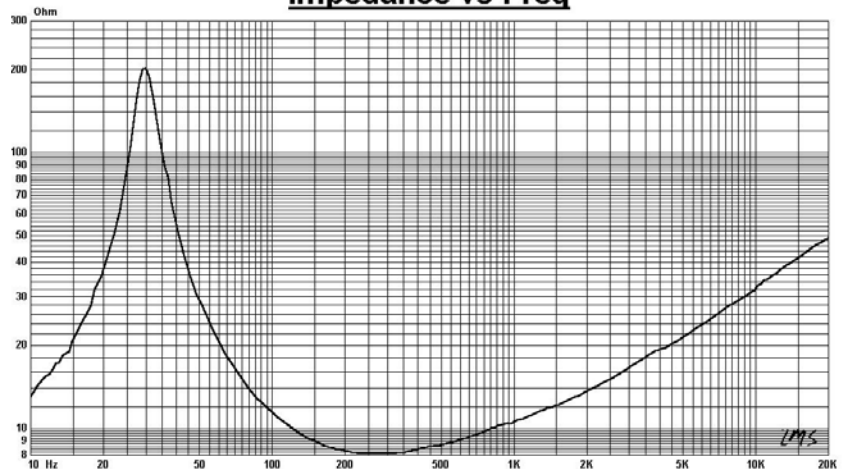
## Specifications & Thiele/Small Parameters

Impedance	: 8 Ohm
Minimum Frequency Response	: 30Hz
Reproduction Frequency Response	: Fo~12K
S.P.L.	: 88.993dB/W(m)
Rated Input	: 30 W
Music Power	: 40 W
Equivalent Diaphragm Radius	: 62mm
Equivalent Mass	: 11.9g
Magnet Weight	: 650 g
Net Weight	: 1800g
Fs	: 30.08 Hz
Re	: 6.8 Ohm
Mms	: 14.705g
BL	: 9.13TM
Qts	: 0.219
Qms	: 6.267
Qes	: 0.227
Vas	: 42.919Ltr
Xmax	: 4mm
no	: 0.498%
Material	Frame : Cast
	Cone : Paper (Coating)
	Surround : RUBBER
	Damper : CONEX
	VC DIA : 35 KAP 0.21 SV
	Magnet : 100X 45X20
	Short Ring : Cu Ring
Center Cap : AL Phase Plug (Glod)	

**SPL vs Freq**



**Impedance vs Freq**



GUIDE-SOUND INDUSTRIES CO.,LTD

E-Mail: Tsaichunchang@yahoo.com.tw

Welcome Inquiry&Orders For OEM&ODM