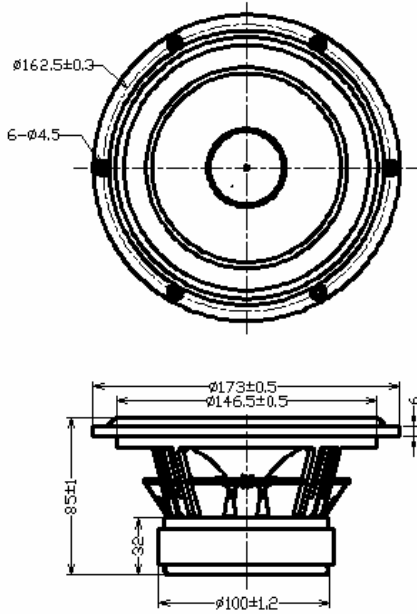


Woofer

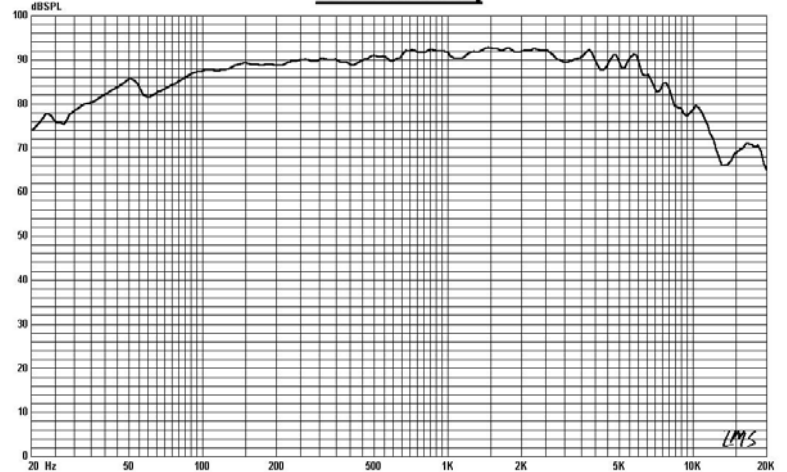
Model :FR173B6-26M



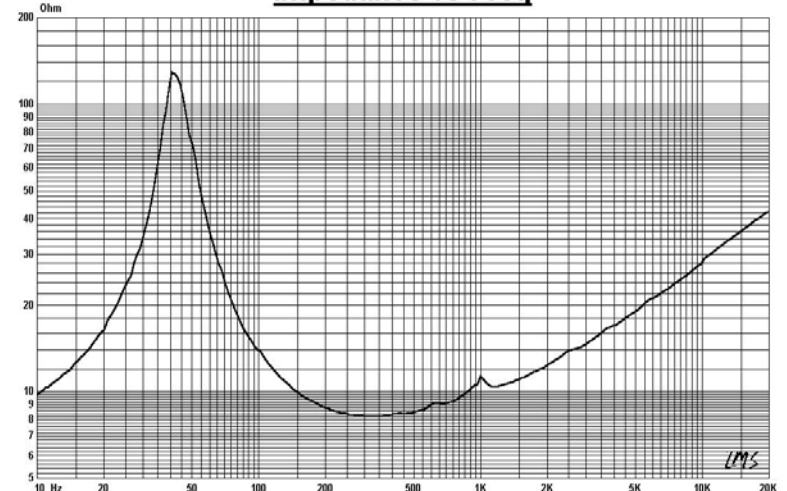
Specifications & Thiele/Small Parameters

| | | |
|---------------------------------|------------------|--------------------|
| Impedance | : 6 Ohm | |
| Minimum Frequency Response | : 42 Hz | |
| Reproduction Frequency Response | : Fo~8K | |
| S.P.L. | : 92.869 dB/W(m) | |
| Rated Input | : 20 W | |
| Music Power | : 30W | |
| Equivalent Diaphragm Radius | : 62mm | |
| Equivalent Mass | : 9.041g | |
| Magnet Weight | : 630 g | |
| Net Weight | : 1650g | |
| Fs | : 42.713 Hz | |
| Re | : 5.0 Ohm | |
| Mms | : 9.884 g | |
| BL | : 8.031TM | |
| Qts | : 0.196 | |
| Qms | : 4.325 | |
| Qes | : 0.206 | |
| Vas | : 33.194Ltr | |
| Xmax | : 2.5mm | |
| no | : 1.216% | |
| Material | Frame | : Cast |
| | Cone&Sub | : Wooden |
| | Surround | : RUBBER |
| | Damper | : CONEX(4Hole) |
| | VC DIA | : 35.5 KSV 0.21 SV |
| | Magnet | : 100x 45x20 |
| | Short Ring | : Cu Ring |
| Center Cap | : Wooden Cap | |

SPL vs Freq



Impedance vs Freq



GUIDE-SOUND INDUSTRIES CO.,LTD

E-Mail: Tsaichunchang@yahoo.com.tw

Welcome Inquiry&Orders For OEM&ODM