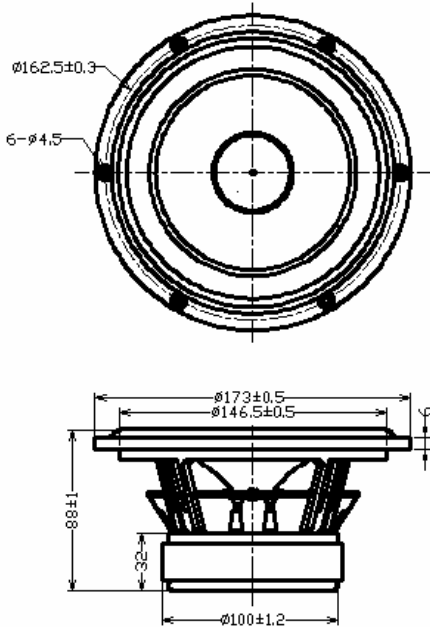


# Single Full Range

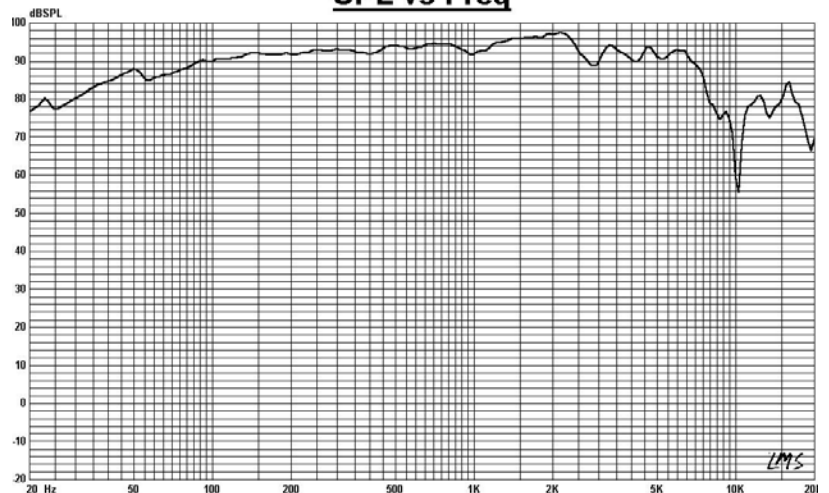
Model :FR173B6-23M



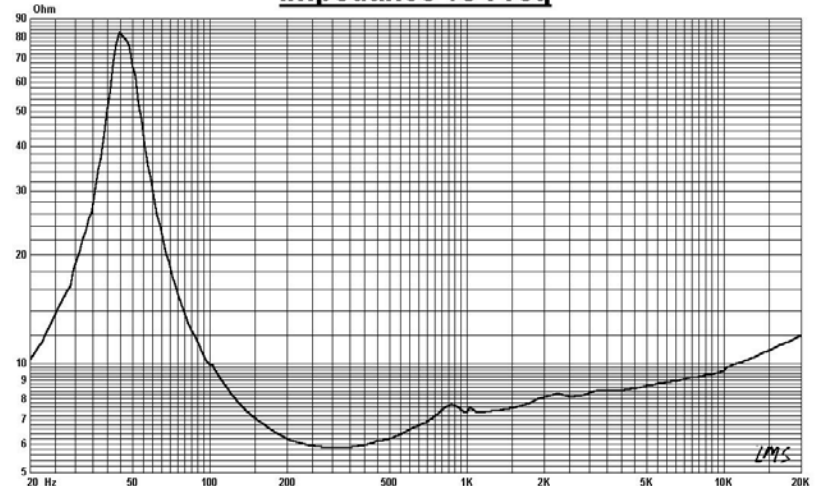
## Specifications & Thiele/Small Parameters

Impedance	: 6 Ohm
Minimum Frequency Response	: 46 Hz
Reproduction Frequency Response	: Fo~8K
S.P.L.	: 90.280dB/W(m)
Rated Input	: 20W
Music Power	: 30 W
Equivalent Diaphragm Radius	: 62mm
Equivalent Mass	: 11.9g
Magnet Weight	: 650 g
Net Weight	: 1750 g
Fs	: 46.146 Hz
Re	: 5.0 Ohm
Mms	: 12.117 g
BL	: 7.308 TM
Qts	: 0.309
Qms	: 5.033
Qes	: 0.329
Vas	: 23.197 Ltr
Xmax	: 4mm
no	: 0.670%
Material	Frame : Cast
	Cone : Kevlar
	Surround : RUBBER
	Damper : CONEX(Hole)
	VC DIA : 35 KSV 0.21SV
	Magnet : 100X 45X20
	Short Ring : Cu Cap
Center Cap : ABS Phase Plug (Black)	

SPL vs Freq



Impedance vs Freq



GUIDE-SOUND INDUSTRIES CO.,LTD

E-Mail: Tsaichunchang@yahoo.com.tw

Welcome Inquiry&Orders For OEM&ODM