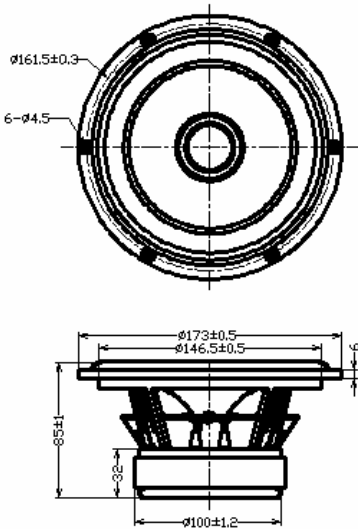


COAXIAL

Model :FR173B6-20F

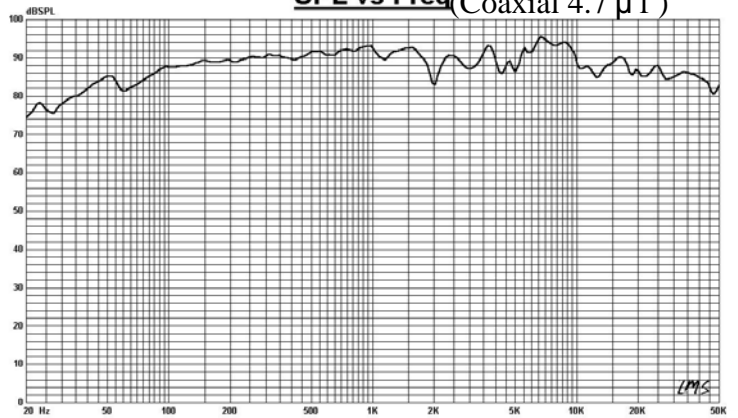


Specifications & Thiele/Small Parameters

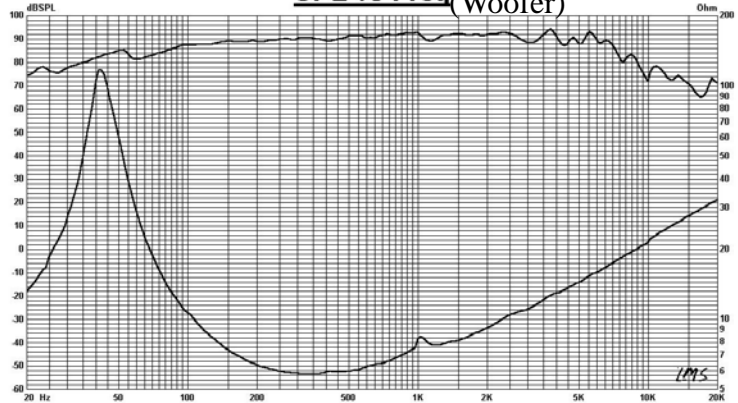
	Woofer	Tweeter
Impedance	6 Ohm	6 Ohm
Minimum Frequency Response	42 Hz	1800 Hz
Reproduction Frequency Response	Fo~10K	Fo~20K
S.P.L.	91.989 dB/W(m)	90 dB/W(m)
Rated Input	20 W	10 W
Music Power	30 W	15 W
Equivalent Diaphragm Radius	62mm	
Equivalent Mass	8.603 g	
Magnet Weight	630 g	6.4 g
Net Weight	1650 g	30 g
Fs	42.738 Hz	1800 Hz
Re	5.0 Ohm	5.0 Ohm
Mms	9.446 g	
BL	6.935 TM	
Qts	0.252	
Qms	5.538	
Qes	0.264	
Vas	34.694 Ltr	
Xmax	2.5 mm	0.05mm
no	0.993%	

		Woofer	Tweeter
Material	Frame	Cast	ABS
	Cone&Dome	Wooden	FABRIC
	Surround	RUBBER	FABRIC
	Damper	CONEX (4Hole)	
	VC DIA	KSV 35 0.21 SV	KSV 20 0.1 CCAW
	Magnet	100x 45x20	Neodymium

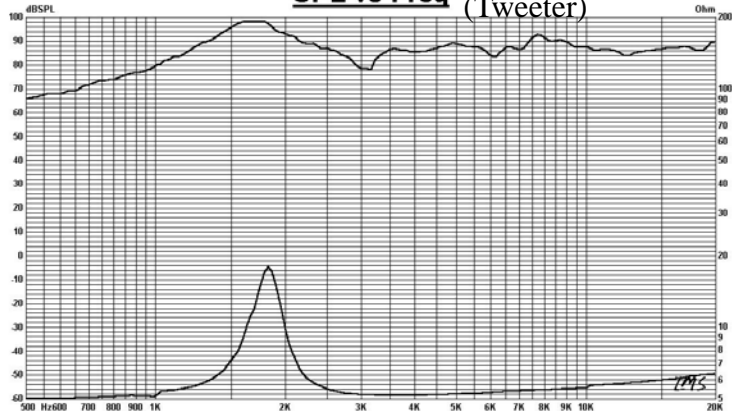
SPL vs Freq (Coaxial 4.7 μ f)



SPL vs Freq (Woofer)



SPL vs Freq (Tweeter)



GUIDE-SOUND INDUSTRIES CO.,LTD

E-Mail: Tsaichunchang@yahoo.com.tw

Welcome Inquiry&Orders For OEM&ODM