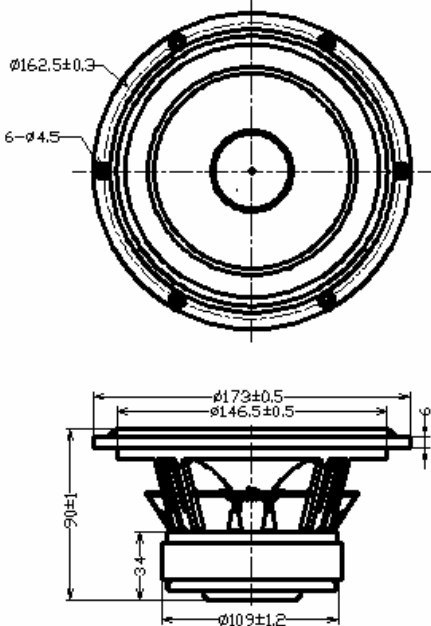


7" Woofer

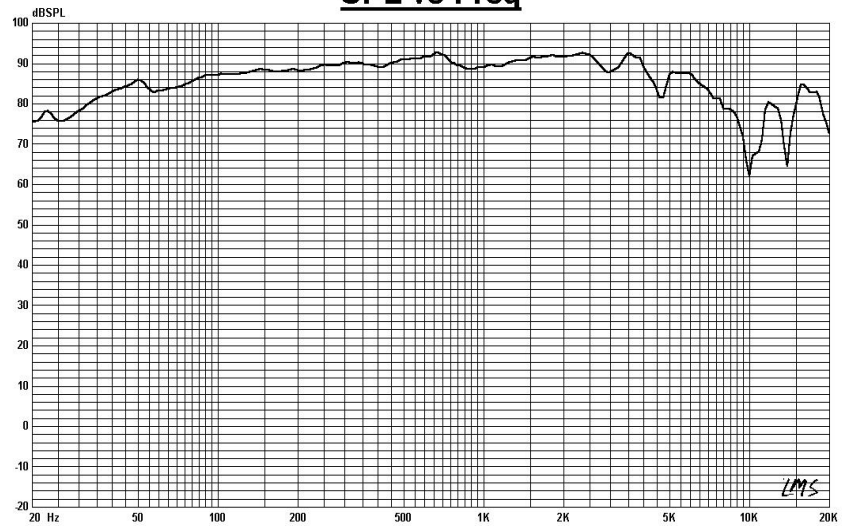
Model :FR173B6-19M



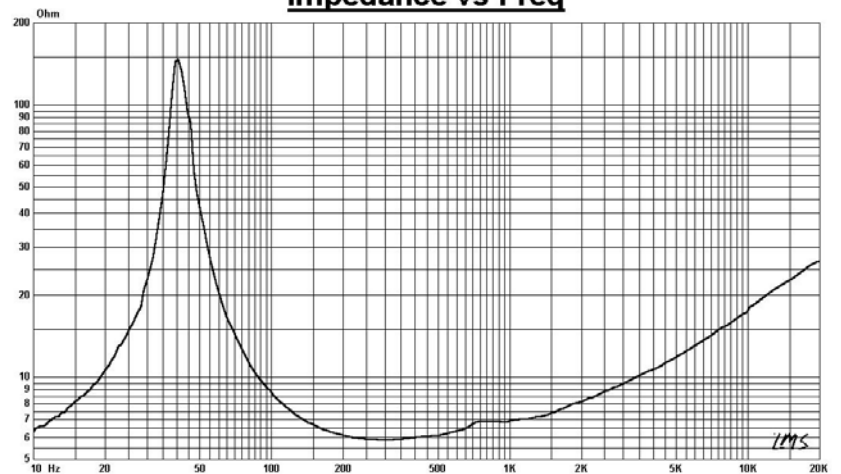
Specifications & Thiele/Small Parameters

Impedance	: 6 Ohm	
Minimum Frequency Response	: 41Hz	
Reproduction Frequency Response	: Fo~15K	
S.P.L.	: 89.99 dB/W(m)	
Rated Input	: 30 W	
Music Power	: 40 W	
Equivalent Diaphragm Radius	: 62mm	
Equivalent Mass	: 11.9g	
Magnet Weight	: 650 g	
Net Weight	: 1750g	
Fs	: 41.55 Hz	
Re	: 5.0 Ohm	
Mms	: 11.148g	
BL	: 6.510TM	
Qts	: 0.331	
Qms	: 9.176	
Qes	: 0.343	
Vas	: 31.098Ltr	
Xmax	: 4mm	
no	: 0.625%	
Material	Frame	: Cast
	Cone	: Wooden
	Surround	: RUBBER
	Damper	: CONEX (Hole)
	VC DIA	: 38 KAP 0.23 Ribbon
	Magnet	: 110X 45X17
	Short Ring	: Cu Ring
Center Cap	: AL Phase Plug (Gold)	

SPL vs Freq



Impedance vs Freq



GUIDE-SOUND INDUSTRIES CO.,LTD

E-Mail: Tsaichunchang@yahoo.com.tw

Welcome Inquiry&Orders For OEM&ODM