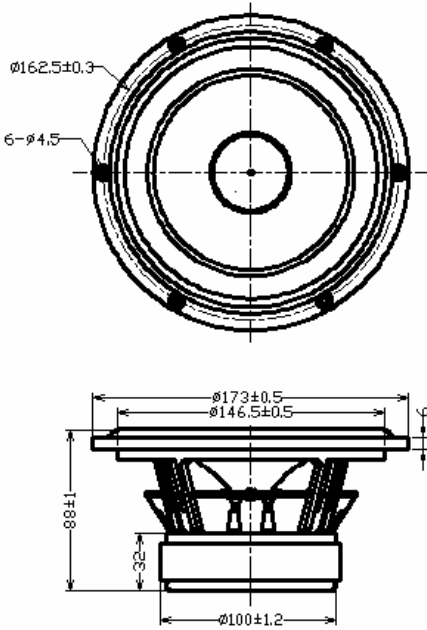


# 7" Woofer

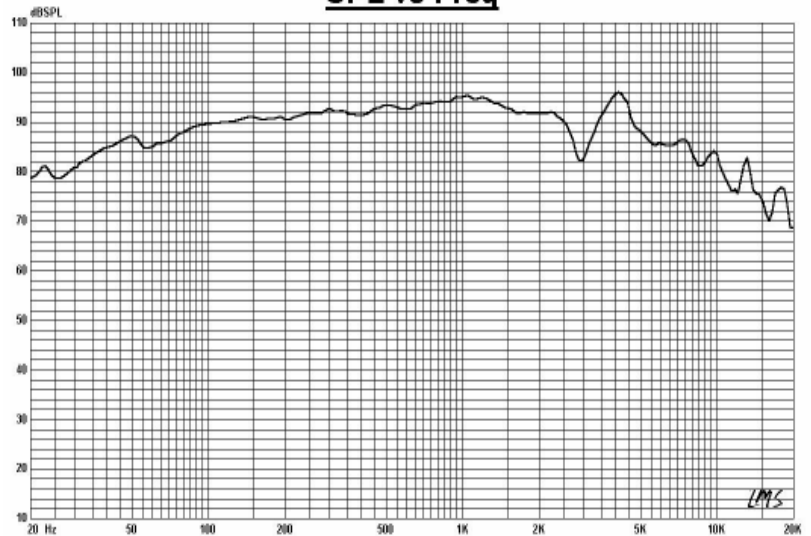
Model :FR173B6-18M



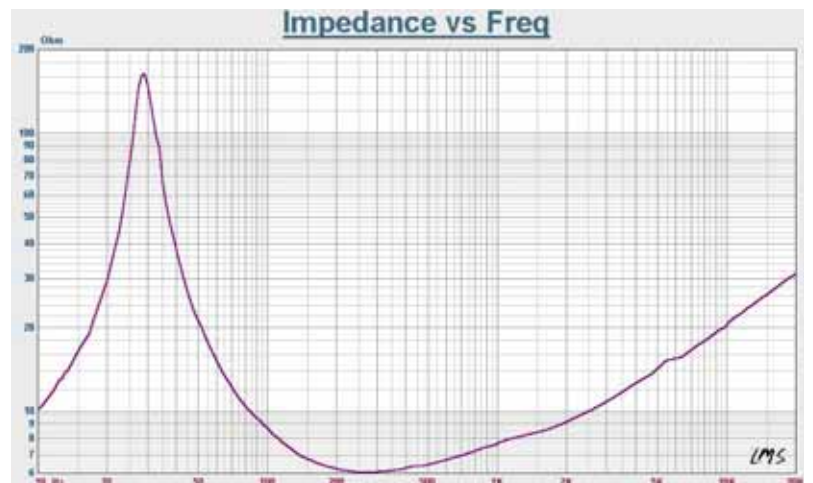
## Specifications & Thiele/Small Parameters

Impedance	: 6 Ohm	
Minimum Frequency Response	: 29 Hz	
Reproduction Frequency Response	: Fo~10K	
S.P.L.	: 89.430 dB/W(m)	
Rated Input	: 30 W	
Music Power	: 40 W	
Equivalent Diaphragm Radius	: 62mm	
Equivalent Mass	: 11.9g	
Magnet Weight	: 650 g	
Net Weight	: 1750g	
Fs	: 29.375 Hz	
Re	: 5.0 Ohm	
Mms	: 13.942g	
BL	: 7.624TM	
Qts	: 0.214	
Qms	: 6.463	
Qes	: 0.221	
Vas	: 49.756Ltr	
Xmax	: 4mm	
no	: 0.551%	
Material	Frame	: Cast
	Cone	: AL(Silver)
	Surround	: RUBBER
	Damper	: CONEX (Hole)
	VC DIA	: 35 KAP 0.23 SV
	Magnet	: 100X 45X20
Short Ring	: Cu Ring	
Center Cap	: ABS Phase Plug (Black)	

SPL vs Freq



Impedance vs Freq



GUIDE-SOUND INDUSTRIES CO.,LTD

E-Mail: Tsaichunchang@yahoo.com.tw

Welcome Inquiry&Orders For OEM&ODM