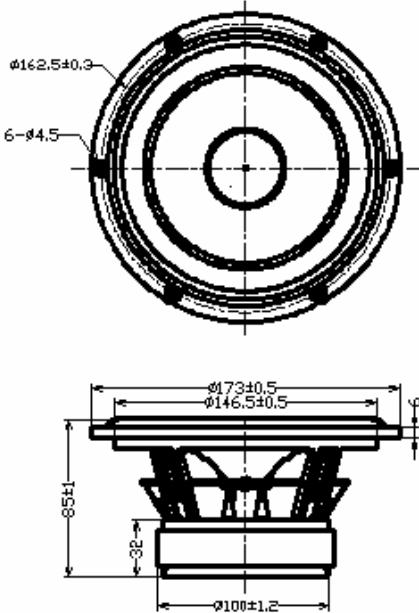


COAXIAL UNIT

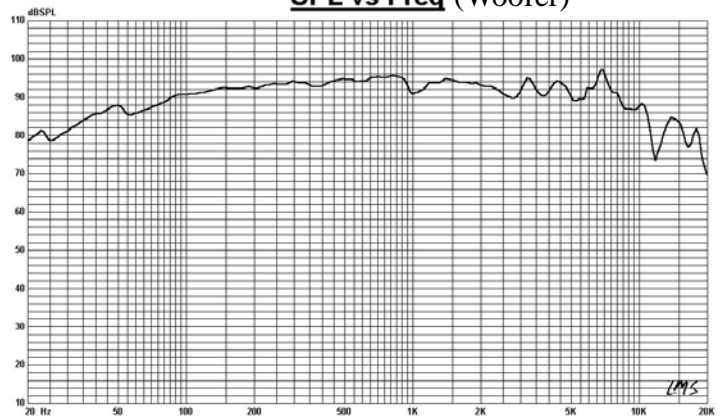
Model :FR173B6-15F



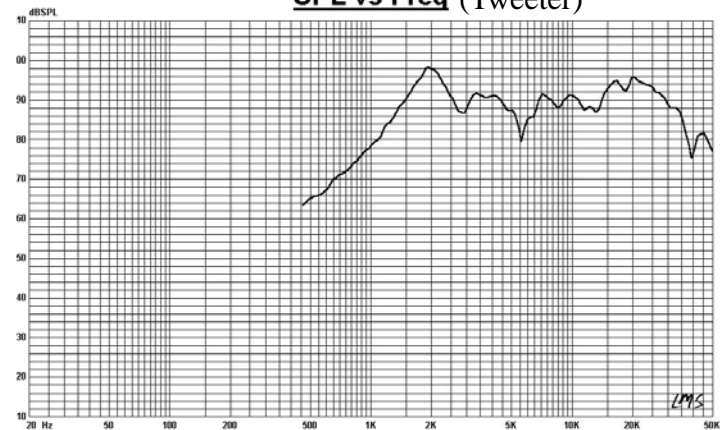
Specifications & Thiele/Small Parameters

	Woofer	Tweeter	
Impedance	6 Ohm	4 Ohm	
Minimum Frequency Response	34 Hz	2000 Hz	
Reproduction Frequency Response	Fo~10K	Fo~20K	
S.P.L.	90.442 dB/W(m)	90 dB/W(m)	
Rated Input	20 W	15 W	
Music Power	30 W	20 W	
Equivalent Diaphragm Radius	62mm		
Equivalent Mass	12.40 g		
Magnet Weight	630 g	6.4 g	
Net Weight	1650 g	30 g	
Fs	34.833 Hz	2000 Hz	
Re	5.0 Ohm	3.4 Ohm	
Mms	13.244 g		
BL	8.138 TM		
Qts	0.210		
Qms	4.191		
Qes	0.219		
Vas	37.248 Ltr		
Xmax	2.5 mm	0.05mm	
no	0.696%		
Material	Frame	Cast	ABS
	Cone&Dome	P.P	SILK
	Surround	RUBBER	SILK
	Damper	CONEX	
	VC DIA	1.3"	0.8"
	Magnet	22 oz	NEODYMIUM

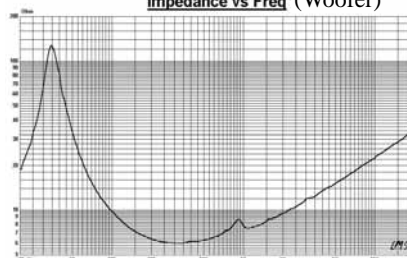
SPL vs Freq (Woofer)



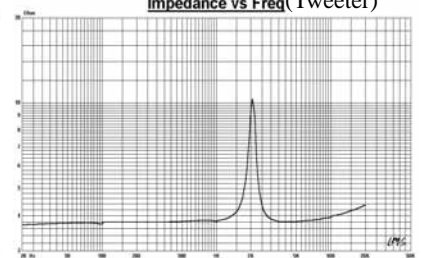
SPL vs Freq (Tweeter)



Impedance vs Freq (Woofer)



Impedance vs Freq (Tweeter)



GUIDE-SOUND INDUSTRIES CO.,LTD
 E-Mail: Tsaichunchang@yahoo.com.tw
 Welcome Inquiry&Orders For OEM&ODM