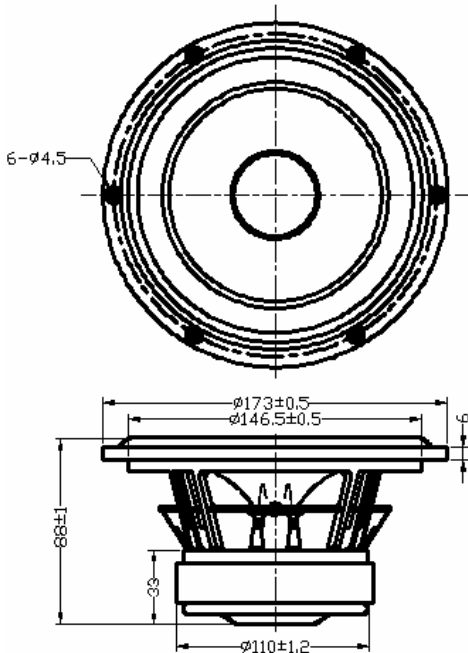


Woofer

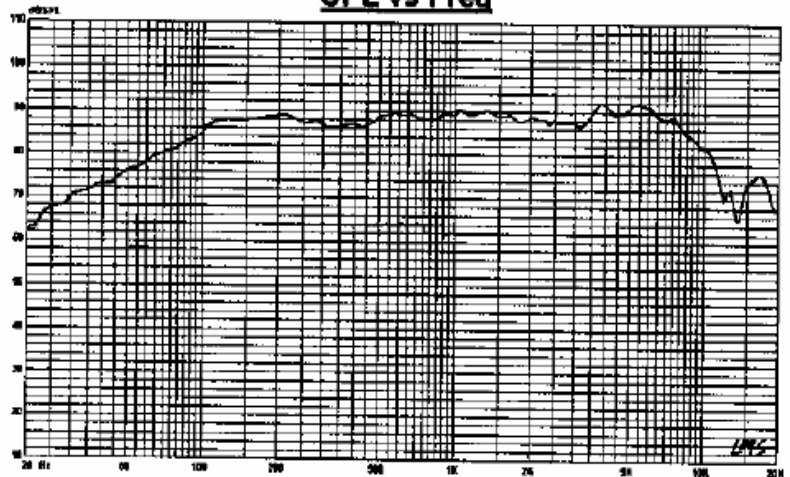
Model : FR173B6-10M



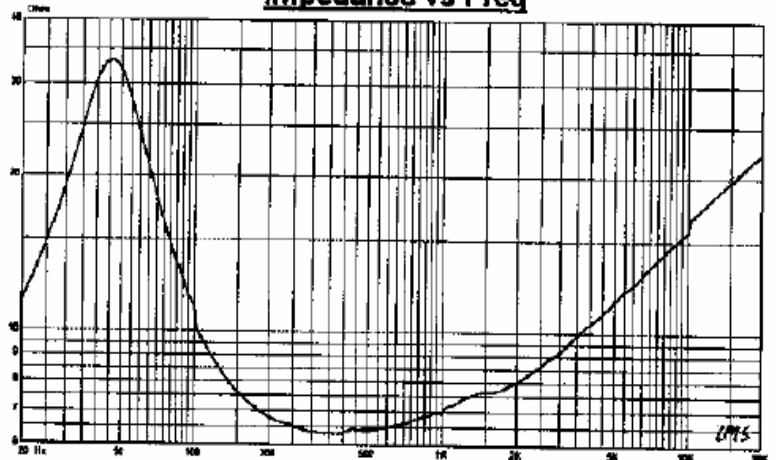
Specifications & Thiele/Small Parameters

Impedance	: 6 Ohm	
Minimum Frequency Response	: 44 Hz	
Reproduction Frequency Response	: Fo~10K	
S.P.L.	: 87.811 dB/W(m)	
Rated Input	: 30 W	
Music Power	: 40 W	
Equivalent Diagram Radius	: 66 mm	
Equivalent Mass	: 14.763 g	
Magnet Weight	: 594 g	
Net Weight	: 2110 g	
Fs	: 44.285 Hz	
Re	: 5.6 Ohm	
Mms	: 16.371g	
BL	: 8.465 TM	
Qts	: 0.294	
Qms	: 1.672	
Qes	: 0.356	
Vas	: 16.090 Ltr	
Xmax	: 4.5 mm	
no	: 0.380%	
Material	Frame	: Cast
	Cone	: Carbon Fiber
	Surround	: RUBBER
	Damper	: CONEX
	VC DIA	: 1.5"
	Magnet	: 23.7oz

SPL vs Freq



Impedance vs Freq



GUIDE-SOUND INDUSTRIES CO.,LTD

E-Mail: Tsaichunchang@yahoo.com.tw

Welcome Inquiry&Orders For OEM&ODM