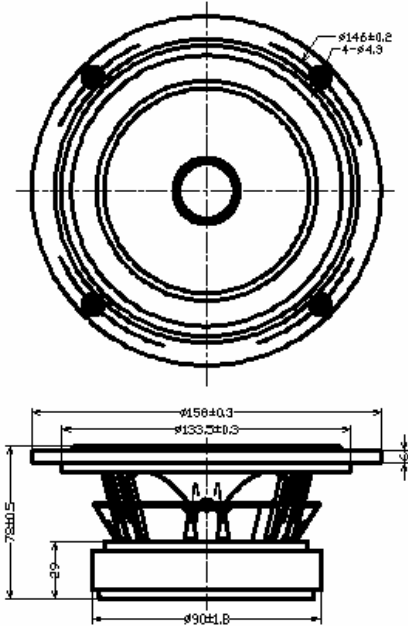


# 5" Woofer

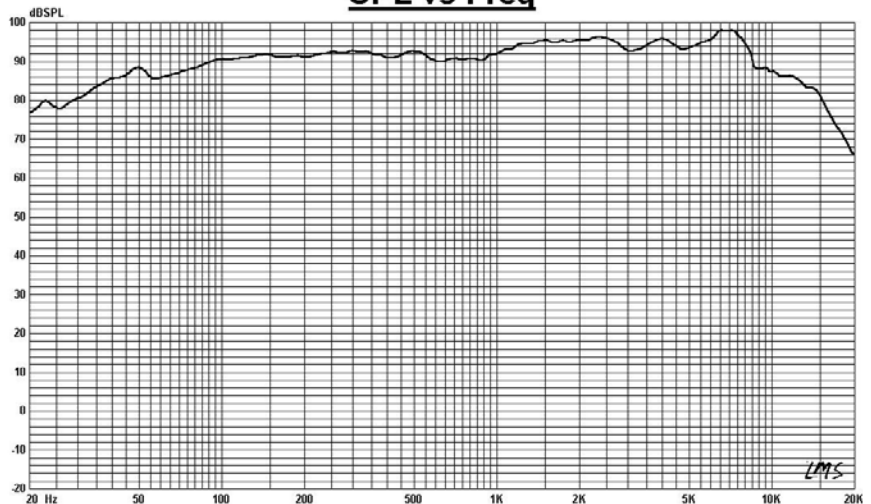
Model :FR158B8-13M



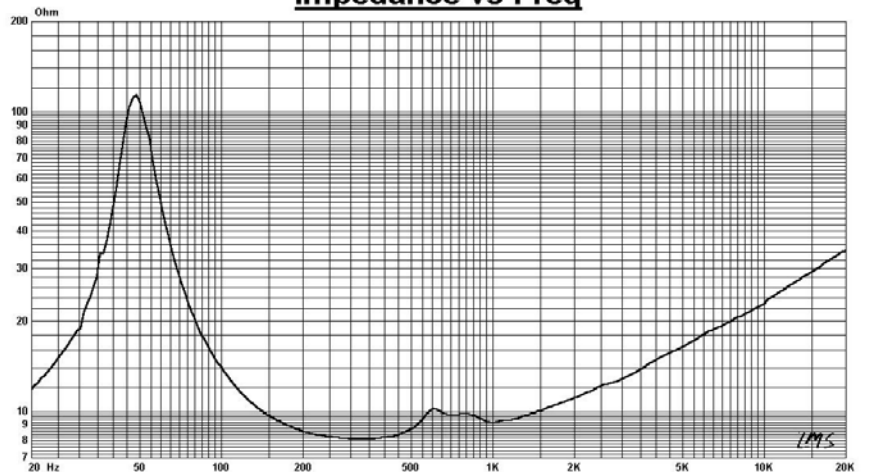
## Specifications & Thiele/Small Parameters

Impedance	: 8 Ohm
Minimum Frequency Response	: 49Hz
Reproduction Frequency Response	: Fo~15K
S.P.L.	: 90.586 dB/W(m)
Rated Input	: 20 W
Music Power	: 30 W
Equivalent Diaphragm Radius	: 58mm
Equivalent Mass	: 6.952g
Magnet Weight	: 400 g
Net Weight	: 1230g
Fs	: 49.161 Hz
Re	: 6.80 Ohm
Mms	: 7.779g
BL	: 6.708TM
Qts	: 0.340
Qms	: 5.426
Qes	: 0.363
Vas	: 22.730 Ltr
Xmax	: 2 mm
no	: 0.719%
Material	Frame : Cast
	Cone : Paper
	Surround : RUBBER
	Damper : CONEX
	VC DIA : 1"
Magnet	: 15.3 oz

**SPL vs Freq**



**Impedance vs Freq**



GUIDE-SOUND INDUSTRIES CO.,LTD

E-Mail: Tsaichunchang@yahoo.com.tw

Welcome Inquiry&Orders For OEM&ODM