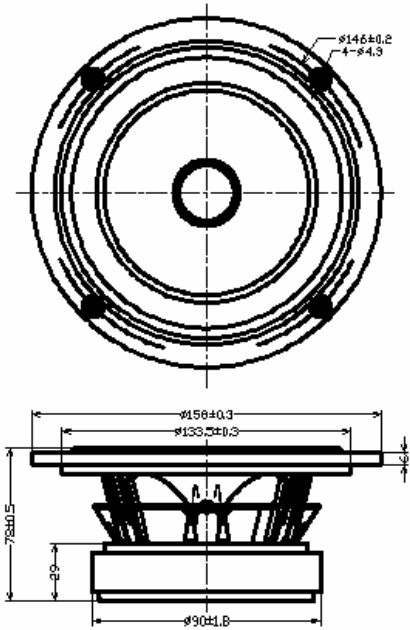


Woofer

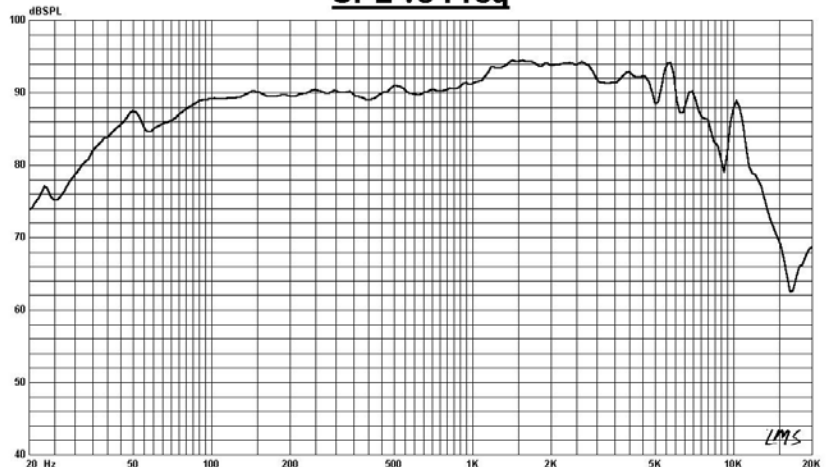
Model :FR158B6-14L



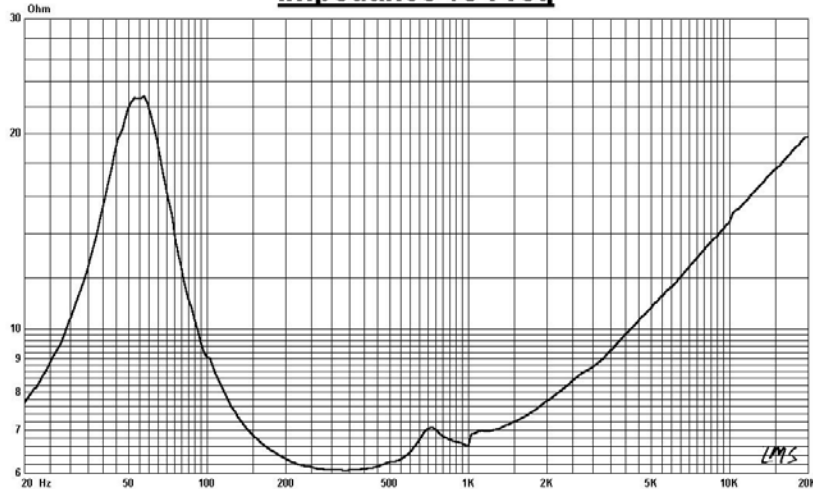
Specifications & Thiele/Small Parameters

Impedance	: 6 Ohm
Minimum Frequency Response	: 53 Hz
Reproduction Frequency Response	: Fo~12K
S.P.L.	: 88.283 dB/W(m)
Rated Input	: 15 W
Music Power	: 25 W
Equivalent Diaphragm Radius	: 58mm
Equivalent Mass	: 6.952g
Magnet Weight	: 400 g
Net Weight	: 1200g
Fs	: 53.297 Hz
Re	: 5.6 Ohm
Mms	: 7.999 g
BL	: 4.801 TM
Qts	: 0.487
Qms	: 1.930
Qes	: 0.651
Vas	: 18.809 Ltr
Xmax	: 2 mm
no	: 0.400%
Material	Frame : Cast
	Cone : Paper
	Surround : RUBBER
	Damper : CONEX
	VC DIA : 1"
	Magnet : 15.3 oz

SPL vs Freq



Impedance vs Freq



GUIDE-SOUND INDUSTRIES CO.,LTD

E-Mail: Tsaichunchang@yahoo.com.tw

Welcome Inquiry&Orders For OEM&ODM