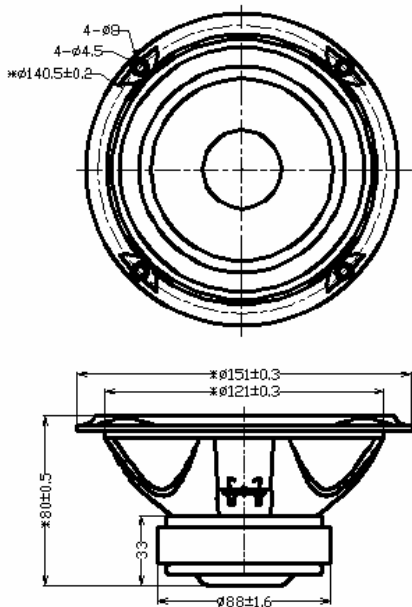


Woofers

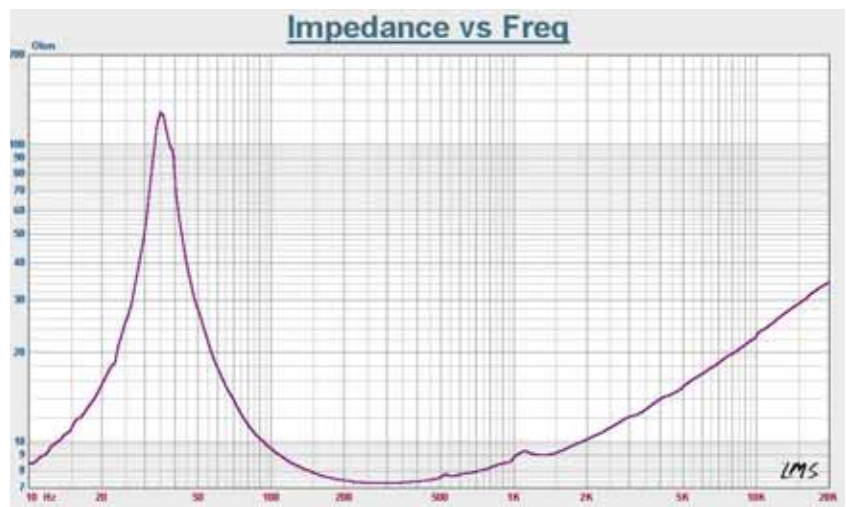
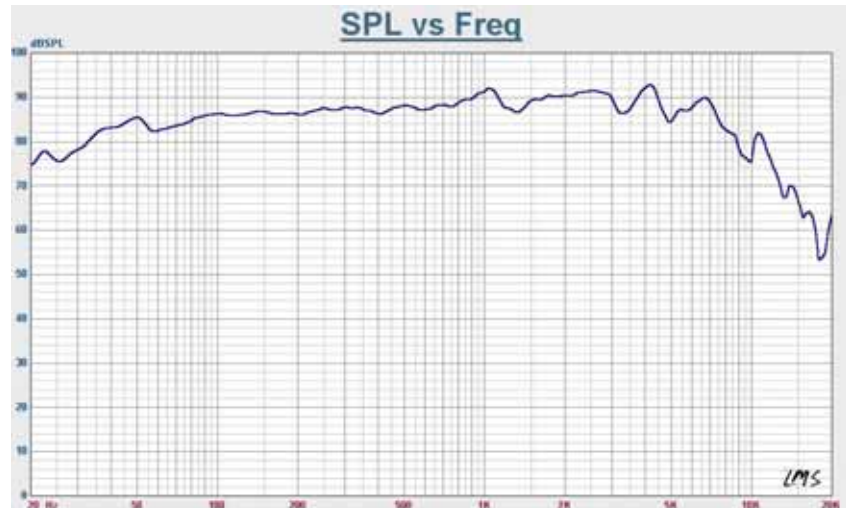


MODEL:FR151B6-11M



Specifications & Thiele/Small Parameter

Impedance	: 6 Ohm	
Minimum Frequency Response	: 38 Hz	
Reproduction Frequency Response	: Fo~10K	
S.P.L.	: 88.079 dB/W(m)	
Rated Input	: 30 W	
Music Power	: 40 W	
Equivalent Diaphragm Radius	: 55 mm	
Equivalent Mass	: 9.3 g	
Magnet Weight	: 382g	
Net Weight	: 1320g	
Fs	: 38.928Hz	
Re	: 6.2 Ohm	
Mms	: 7.948 g	
BL	: 5.625 TM	
Qts	: 0.356	
Qms	: 5.516	
Qes	: 0.381	
Vas	: 26.953 Ltr	
Xmax	: 3 mm	
no	: 0.404%	
Material	Frame	: Cast
	Cone	: Wooden
	Surround	: Rubber
	Damper	: Conex (4Hole)
	VC DIA	: 30 KAP 0.19 SV
	Magnet	: 90x 45x15 Y30
	Short Ring	: Cu Ring
Ceter Cap	: AL Phase Plug(gold)	



GUIDE-SOUND INDUSTRIES CO.,LTD

E-Mail: Tsaichunchang@yahoo.com.tw

Welcome Inquiry&Orders For OEM&ODM