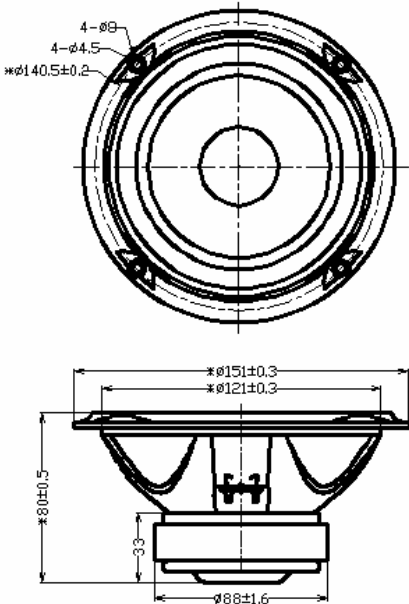


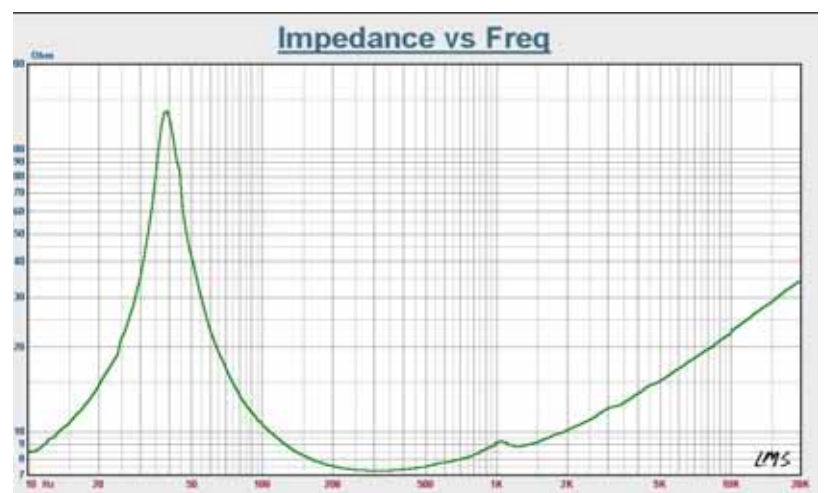
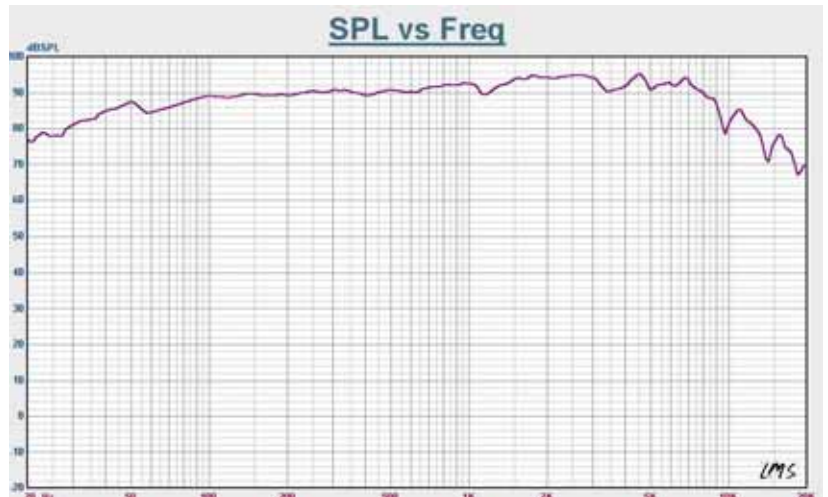
## 6" Woofer

MODEL:FR151B6-10M



## Specifications & Thiele/Small Parameter

Impedance	: 6 Ohm	
Minimum Frequency Response	: 39Hz	
Reproduction Frequency Response	: Fo~12K	
S.P.L.	: 88.729 dB/W(m)	
Rated Input	: 30 W	
Music Power	: 40 W	
Equivalent Diagram Radius	: 55 mm	
Equivalent Mass	: 9.3 g	
Magnet Weight	: 382g	
Net Weight	: 1320g	
Fs	: 39.590Hz	
Re	: 6.2 Ohm	
Mms	: 7.888 g	
BL	: 6.018 TM	
Qts	: 0.319	
Qms	: 6.505	
Qes	: 0.336	
Vas	: 26.256 Ltr	
Xmax	: 3 mm	
no	: 0.469%	
Material	Frame	: Cast
	Cone	: Wooden (t:0.4mm)
	Surround	: RUBBER
	Damper	: CONEX
	VC DIA	: 30 KAP 0.19 SV
	Magnet	: 90X45X15
	Short Ring	: Cu Ring
Ceter Cap	: AL Phase Plug(gold)	



GUIDE-SOUND INDUSTRIES CO.,LTD

E-Mail: [Tsaichunchang@yahoo.com.tw](mailto:Tsaichunchang@yahoo.com.tw)

Welcome Inquiry&Orders For OEM&ODM