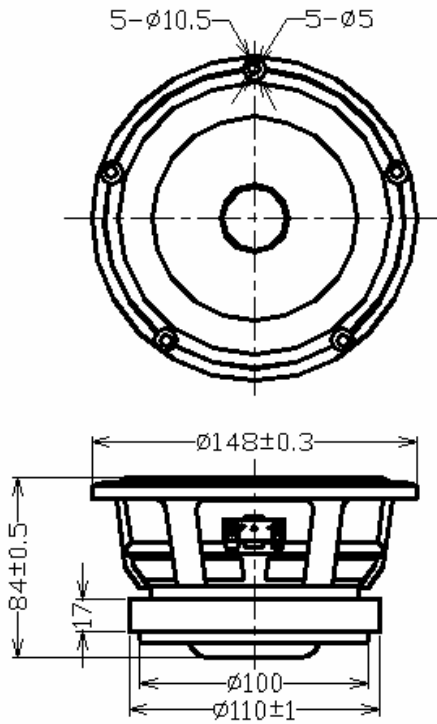


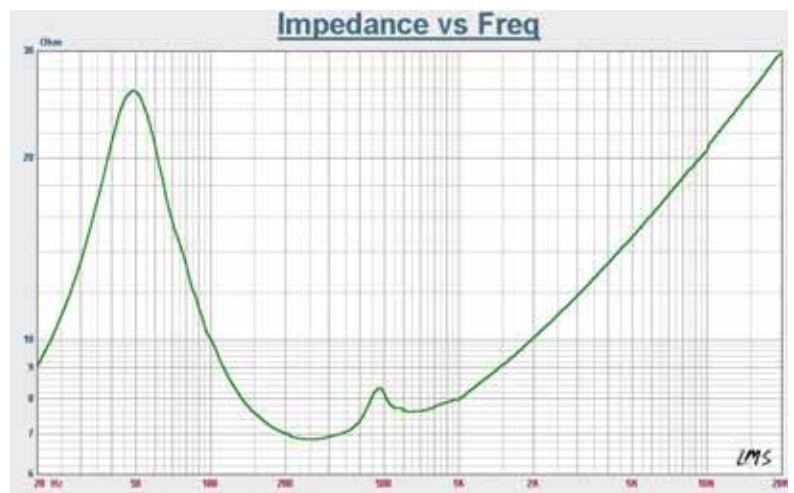
Woofers

MODEL:FR148B6-11M



Specifications & Thiele/Small Parameters

Impedance	: 6 Ohm
Minimum Frequency Response	: 48 Hz
Reproduction Frequency Response	: Fo~10K
S.P.L.	: 84.778dB/W(m)
Rated Input	: 30 W
Music Power	: 40 W
Equivalent Diaphragm Radius	: 55 mm
Equivalent Mass	: 14.612 g
Magnet Weight	: 594 g
Net Weight	: 1630g
Fs	: 52.488 Hz
Re	: 5.8 Ohm
Mms	: 15.441g
BL	: 7.229 TM
Qts	: 0.398
Qms	: 1.670
Qes	: 0.523
Vas	: 8.899Ltr
Xmax	: 4.5 mm
no	: 0.200%
Material	Frame : CAST
	Cone : PAPER
	Surround : RUBBER
	Damper : CONEX
	VC DIA : 1.5 "
Magnet	: 20.9 oz



GUIDE-SOUND INDUSTRIES CO.,LTD

E-Mail: Tsaichunchang@yahoo.com.tw

Welcome Inquiry&Orders For OEM&ODM