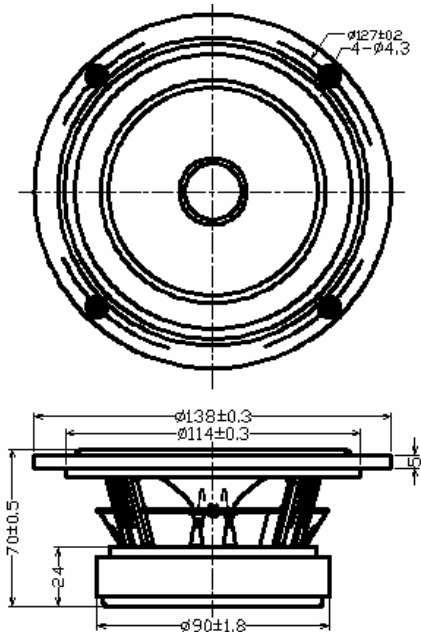


5" Woofer

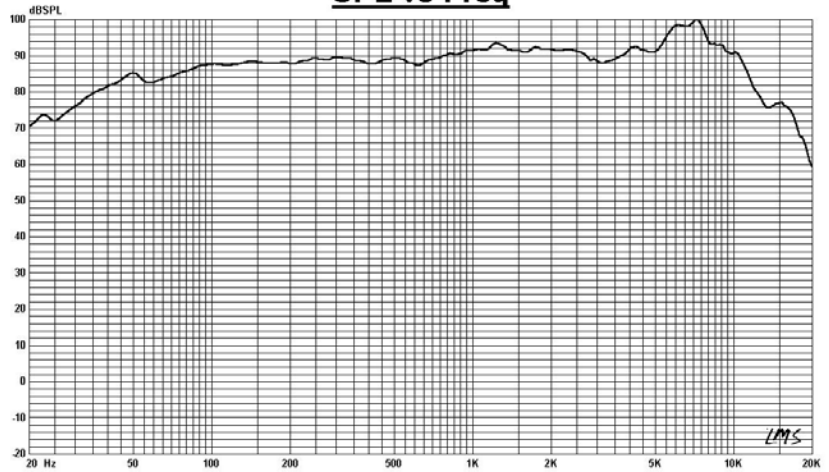
MODEL:FR137B8-15M



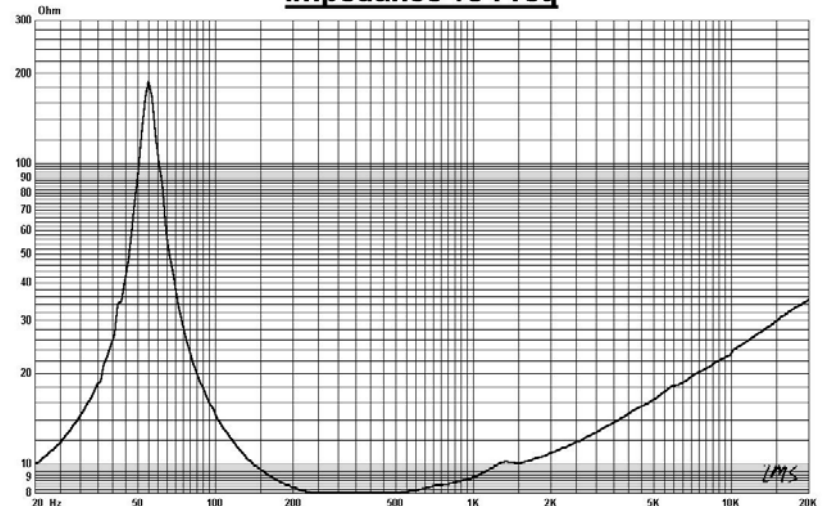
Specifications & Thiele/Small Parameter

Impedance	: 80hm
Minimum Frequency Response	: 55Hz
Reproduction Frequency Response	: Fo~15K
S.P.L.	: 88.365 dB/W(m)
Rated Input	: 15 W
Music Power	: 20 W
Equivalent Diaphragm Radius	: 49 mm
Equivalent Mass	: 5.161 g
Magnet Weight	: 400 g
Net Weight	: 1020g
Fs	: 55.719Hz
Re	: 6.80 Ohm
Mms	: 6.247 g
BL	: 6.030 TM
Qts	: 0.393
Qms	: 9.886
Qes	: 0.409
Vas	: 10.543 Ltr
Xmax	: 2 mm
no	: 0.393%
Material	Frame : Cast
	Cone : Paper(Coating)
	Surround : RUBBER
	Damper : CONEX
	VC DIA : $\Phi 25$ KAP 0.17 SV
	Magnet : 90X 40X15
	Short Ring : Cu Ring
Center Cap : AL Phase Plug (Gold)	

SPL vs Freq



Impedance vs Freq



GUIDE-SOUND INDUSTRIES CO.,LTD

E-Mail: Tsaichunchang@yahoo.com.tw

Welcome Inquiry&Orders For OEM&ODM