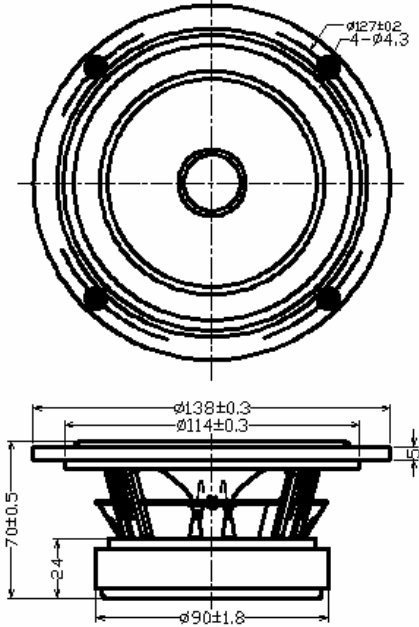


5" Woofer

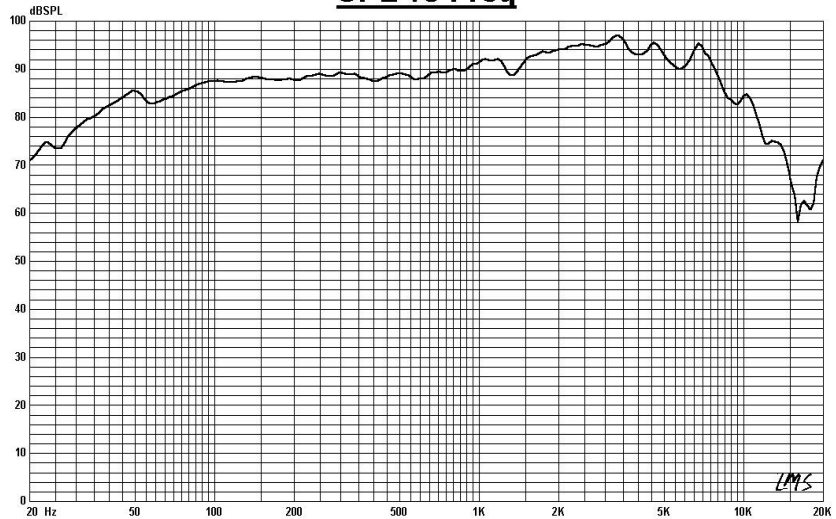
MODEL:FR137B6-24M



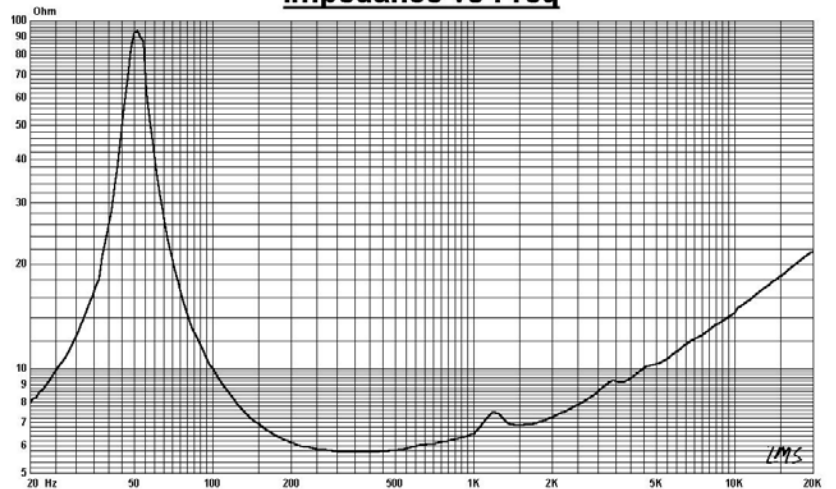
Specifications & Thiele/Small Parameter

Impedance	: 6 Ohm	
Minimum Frequency Response	: 51 Hz	
Reproduction Frequency Response	: Fo~12K	
S.P.L.	: 87.464 dB/W(m)	
Rated Input	: 20 W	
Music Power	: 30 W	
Equivalent Diaphragm Radius	: 49 mm	
Equivalent Mass	: 5.161 g	
Magnet Weight	: 400 g	
Net Weight	: 1020g	
Fs	: 51.377Hz	
Re	: 5.0 Ohm	
Mms	: 5.785 g	
BL	: 4.786 TM	
Qts	: 0.385	
Qms	: 6.933	
Qes	: 0.408	
Vas	: 10.892 Ltr	
Xmax	: 2 mm	
no	: 0.400%	
Material	Frame	: Cast
	Cone	: Kevlar
	Surround	: RUBBER
	Damper	: CONEX (Hole)
	VC DIA	: $\Phi 25$ KAP 0.18 SV
	Magnet	: 90X 40X15
	Short Ring	: Cu Ring
Center Cap	: ABS Phase Plug (Black)	

SPL vs Freq



Impedance vs Freq



GUIDE-SOUND INDUSTRIES CO.,LTD

E-Mail: Tsaichunchang@yahoo.com.tw

Welcome Inquiry&Orders For OEM&ODM