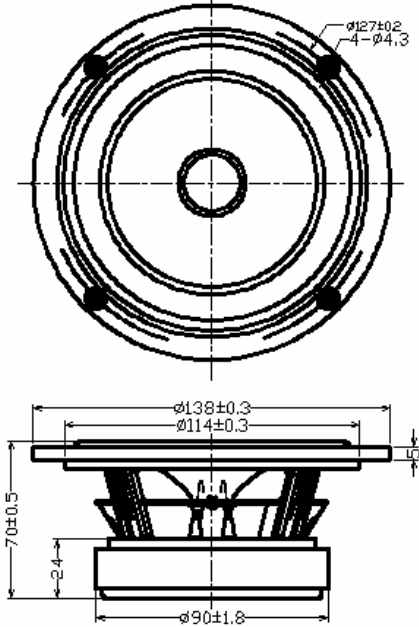


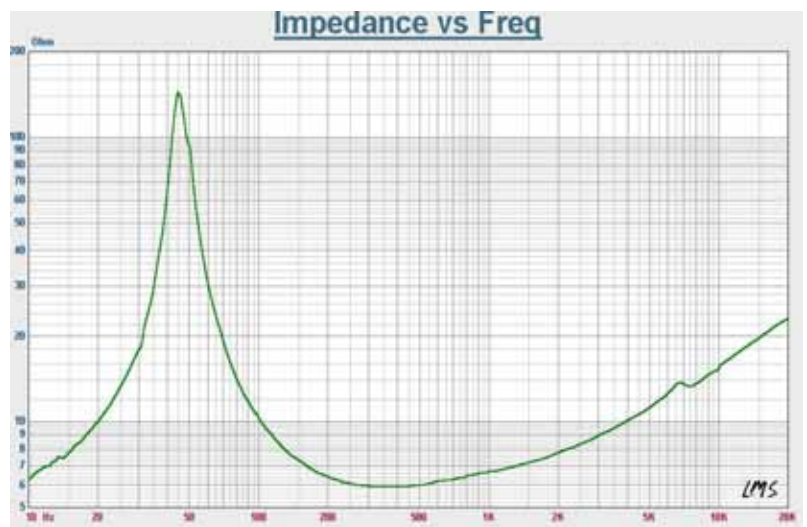
5" Woofer

MODEL:FR137B6-22M



Specifications & Thiele/Small Parameter

| | | |
|---------------------------------|------------------|--------------------------|
| Impedance | : 6 Ohm | |
| Minimum Frequency Response | : 46 Hz | |
| Reproduction Frequency Response | : Fo~12K | |
| S.P.L. | : 87.069 dB/W(m) | |
| Rated Input | : 20 W | |
| Music Power | : 30 W | |
| Equivalent Diaphragm Radius | : 49 mm | |
| Equivalent Mass | : 5.161 g | |
| Magnet Weight | : 400 g | |
| Net Weight | : 1020g | |
| Fs | : 46.116Hz | |
| Re | : 5.0 Ohm | |
| Mms | : 7.471 g | |
| BL | : 5.748 TM | |
| Qts | : 0.307 | |
| Qms | : 8.167 | |
| Qes | : 0.319 | |
| Vas | : 10.756 Ltr | |
| Xmax | : 2 mm | |
| no | : 0.320% | |
| Material | Frame | : Cast |
| | Cone | : AL(Silver) |
| | Surround | : RUBBER |
| | Damper | : CONEX (Hole) |
| | VC DIA | : $\Phi 25$ KAP 0.18 SV |
| | Magnet | : 90X 40X15 |
| | Short Ring | : Cu Ring |
| | Center Cap | : ABS Phase Plug (Black) |



GUIDE-SOUND INDUSTRIES CO.,LTD

E-Mail: Tsaichunchang@yahoo.com.tw

Welcome Inquiry&Orders For OEM&ODM