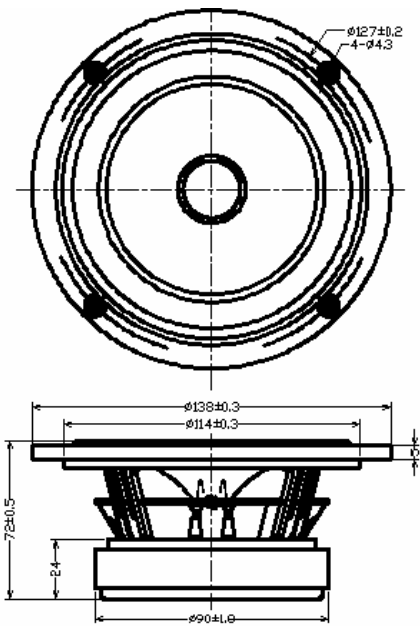


FULL RANGE

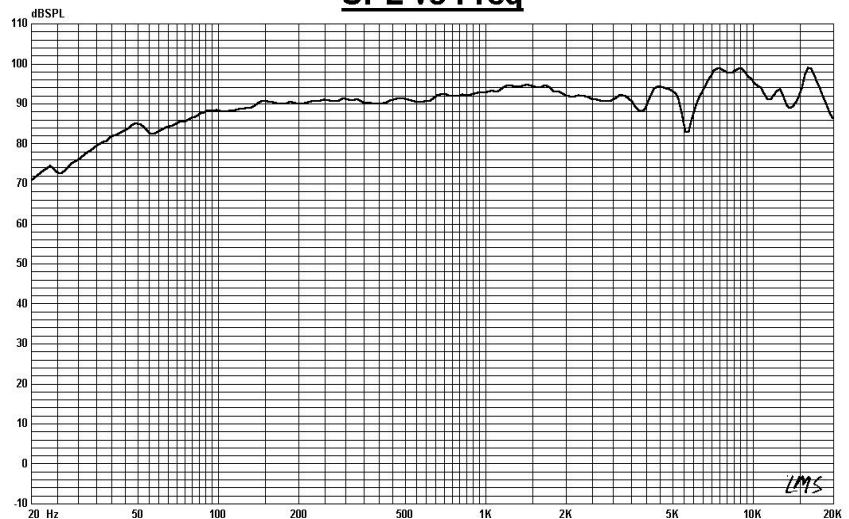
Model :FR137B6-13F



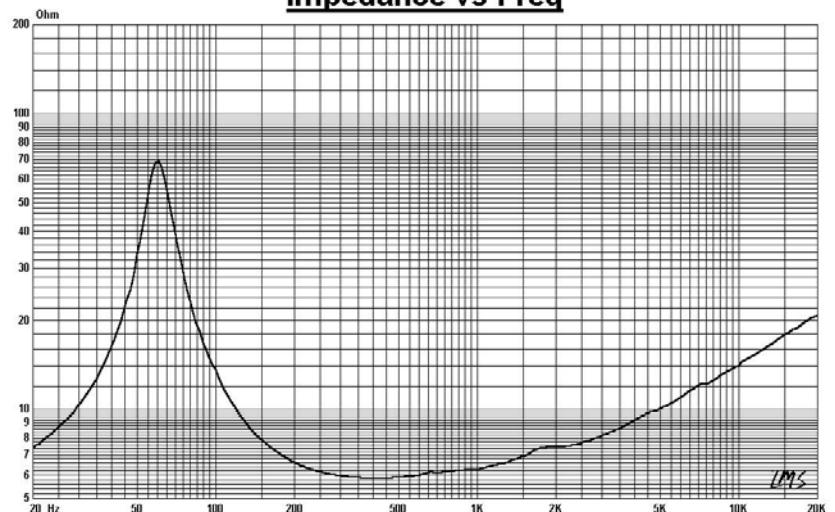
Specifications & Thiele/Small Parameters

Impedance	: 6 Ohm	
Minimum Frequency Response	: 60 Hz	
Reproduction Frequency Response	: Fo~20K	
S.P.L.	: 86.375 dB/W(m)	
Rated Input	: 15 W	
Music Power	: 20W	
Equivalent Diaphragm Radius	: 47mm	
Equivalent Mass	: 6.89g	
Magnet Weight	: 400 g	
Net Weight	: 1000g	
Fs	: 60.524 Hz	
Re	: 5.0 Ohm	
Mms	: 8.326g	
BL	: 6.292 TM	
Qts	: 0.369	
Qms	: 4.720	
Qes	: 0.400	
Vas	: 5.945 Ltr	
Xmax	: 2.2mm	
no	: 0.300%	
Material	Frame	: Cast
	Cone&Sub	: Paper Coating(Black)
	Surround	: RUBBER
	Damper	: CONEX (Hole)
	VC DIA	: 25 KSV 0.18 SV
	Magnet	: 90X 40X15
	Short Ring	: Cu Ring
Center Cap	: ABS Phase Plug (Black)	

SPL vs Freq



Impedance vs Freq



GUIDE-SOUND INDUSTRIES CO.,LTD

E-Mail: Tsaichunchang@yahoo.com.tw

Welcome Inquiry&Orders For OEM&ODM