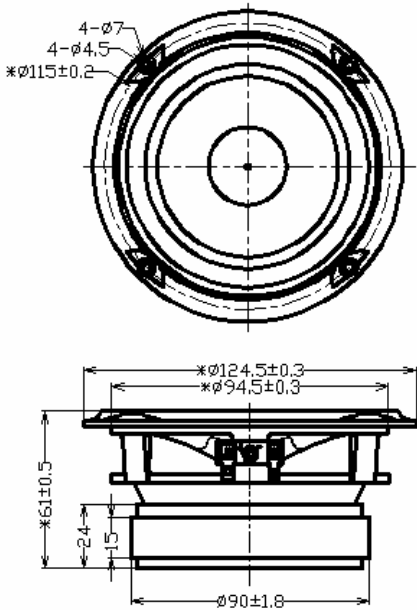


5" Woofer

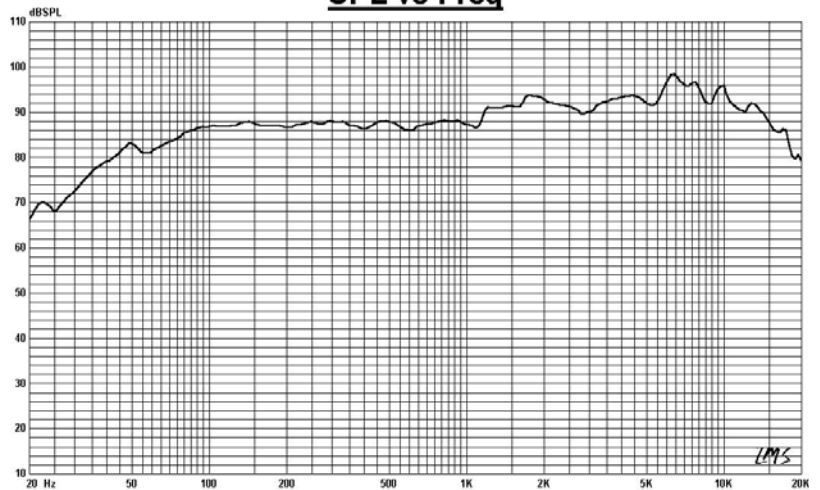
MODEL: FR124B8-11M



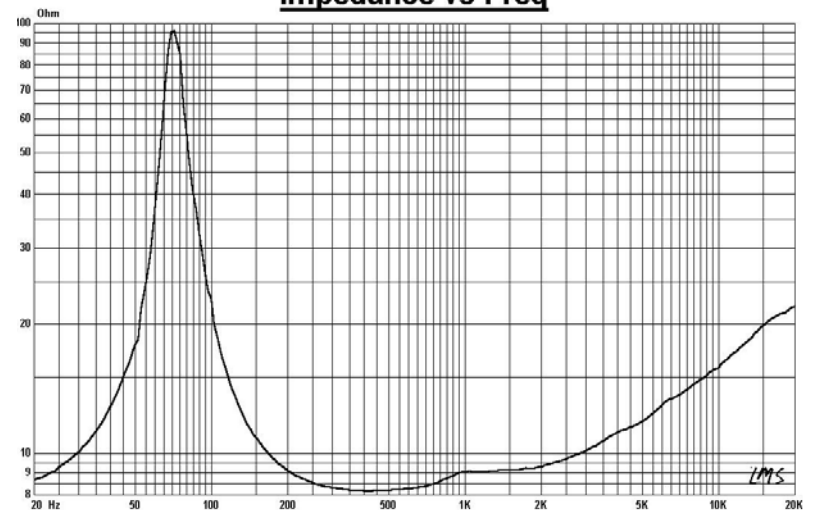
Specifications & Thiele/Small Parameter

Impedance	: 8 Ohm
Minimum Frequency Response	: 72Hz
Reproduction Frequency Response	: Fo~13K
S.P.L.	: 88.124 dB/W(m)
Rated Input	: 10 W
Music Power	: 15 W
Equivalent Diaphragm Radius	: 42 mm
Equivalent Mass	: 4.643 g
Magnet Weight	: 380g
Net Weight	: 980g
Fs	: 72.322Hz
Re	: 7.20 Ohm
Mms	: 4.929 g
BL	: 5.280 TM
Qts	: 0.533
Qms	: 6.849
Qes	: 0.579
Vas	: 6.451 Ltr
Xmax	: 1.5 mm
no	: 0.408%
Material	Frame : Cast
	Cone : Wooden
	Surround : RUBBER
	Damper : CONEX
	VC DIA : 1.0"
	Magnet : 13.4oz

SPL vs Freq



Impedance vs Freq



GUIDE-SOUND INDUSTRIES CO.,LTD

E-Mail: Tsaichunchang@yahoo.com.tw

Welcome Inquiry&Orders For OEM&ODM