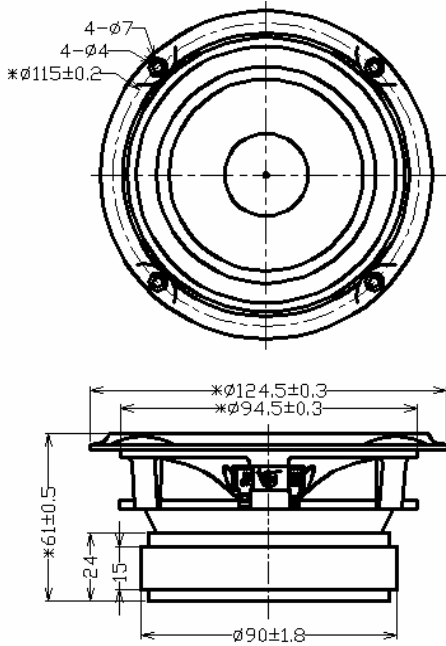


Transparent Fiber

MODEL: FR124B6-15M



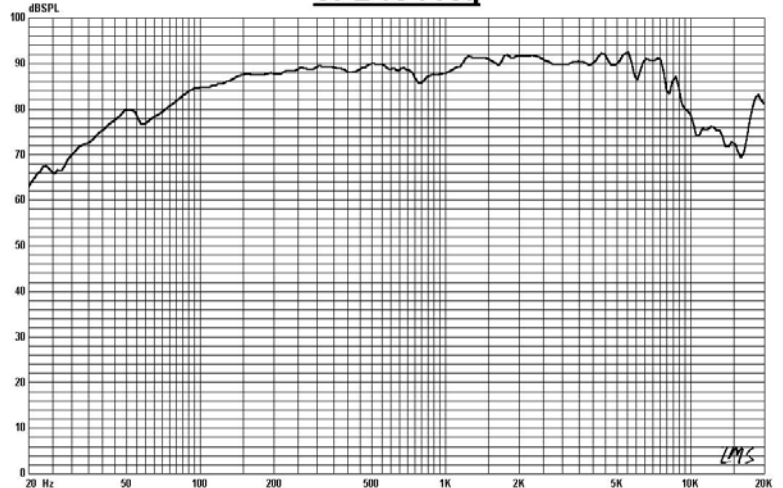
Specifications

&

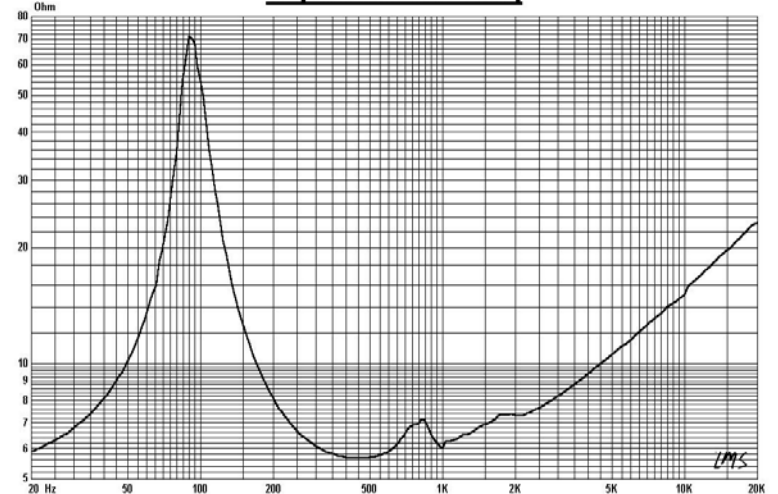
Thiele/Small Parameter

| | |
|---------------------------------|---|
| Impedance | : 6 Ohm |
| Minimum Frequency Response | : 91Hz |
| Reproduction Frequency Response | : Fo~8K |
| S.P.L. | : 91.543dB/W(m) |
| Rated Input | : 15 W |
| Music Power | : 25 W |
| Equivalent Diagram Radius | : 42 mm |
| Equivalent Mass | : 4.193g |
| Magnet Weight | : 350g |
| Net Weight | : 950g |
| Fs | : 91.994Hz |
| Re | : 5.0 Ohm |
| Mms | : 4.515 g |
| BL | : 5.975 TM |
| Qts | : 0.339 |
| Qms | : 4.699 |
| Qes | : 0.366 |
| Vas | : 4.352 Ltr |
| Xmax | : 1.5mm |
| no | : 0.896% |
| Material | Frame : Cast |
| | Cone&Sub : Transparent Fiber |
| | Surround : RUBBER |
| | Damper : CONEX+COTTON |
| | VC DIA : 25 KSV 0.17SV |
| | Magnet : $\Phi 90 \times \Phi 40 \times 15$ |
| | Short Ring : Cu Ring |
| | Center Cap : AL Phase Plug (Gold) |

SPL vs Freq



Impedance vs Freq



GUIDE-SOUND INDUSTRIES CO.,LTD

E-Mail: Tsaichunchang@yahoo.com.tw

Welcome Inquiry&Orders For OEM&ODM