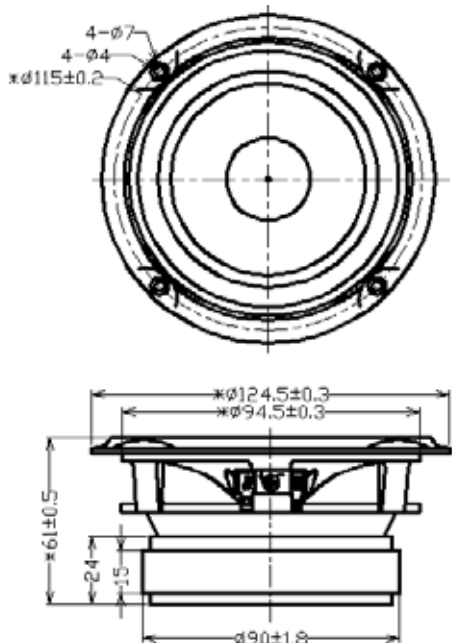


Cuticle Honeycomb Glassfiber

MODEL: FR124B6-14M



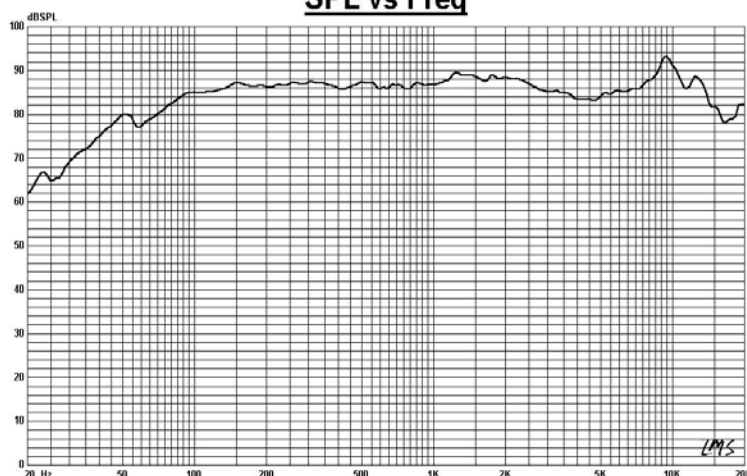
Specifications

&

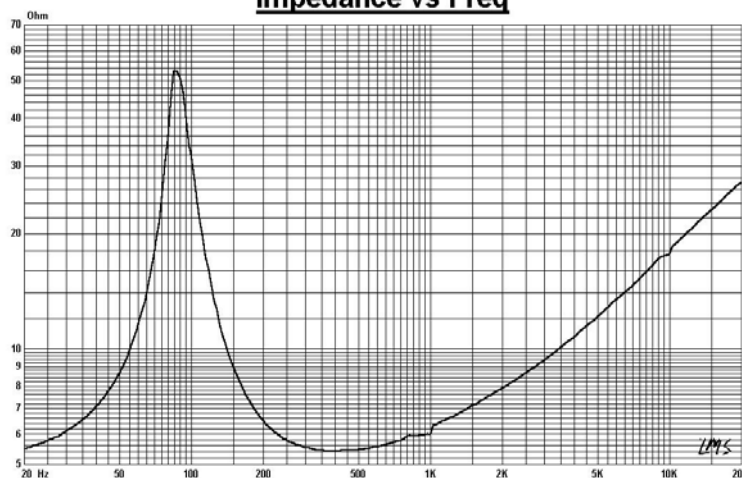
Thiele/Small Parameter

Impedance	: 6 Ohm
Minimum Frequency Response	: 89Hz
Reproduction Frequency Response	: Fo~13K
S.P.L.	: 89.204dB/W(m)
Rated Input	: 15 W
Music Power	: 25 W
Equivalent Diagram Radius	: 42 mm
Equivalent Mass	: 3.981g
Magnet Weight	: 350g
Net Weight	: 950g
Fs	: 89.515 Hz
Re	: 5.0 Ohm
Mms	: 4.304 g
BL	: 4.350 TM
Qts	: 0.576
Qms	: 5.769
Qes	: 0.640
Vas	: 4.823 Ltr
Xmax	: 1.5mm
no	: 0.523%
Frame	: Cast
Cone&Sub	: Cuticle Honeycomb Glassfiber
Surround	: RUBBER
Damper	: CONEX+COTTON
VC DIA	: 25 KSV 0.17SV
Magnet	: $\Phi 90 \times \Phi 40 \times 15$
Short Ring	: Cu Ring
Center Cap	: AL Phase Plug (Gold)

SPL vs Freq



Impedance vs Freq



GUIDE-SOUND INDUSTRIES CO.,LTD

E-Mail: Tsaichunchang@yahoo.com.tw

Welcome Inquiry&Orders For OEM&ODM