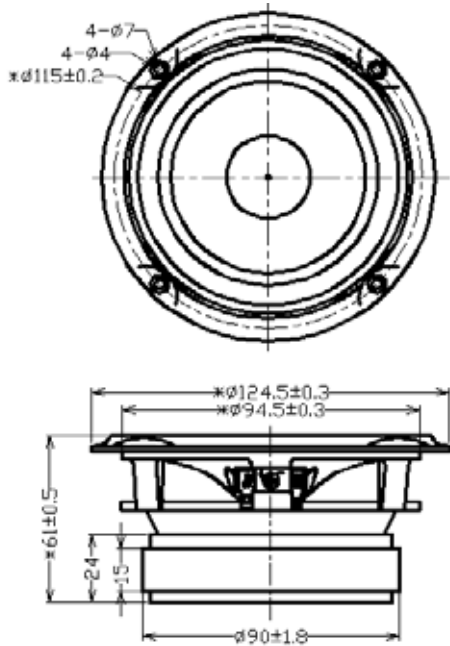


Paper Cone



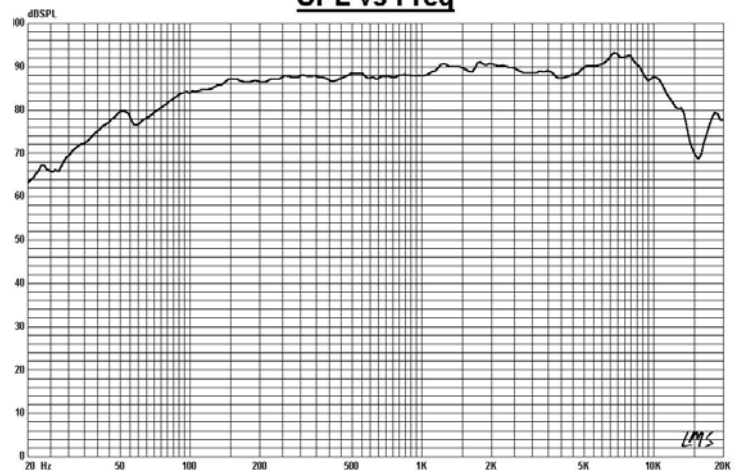
MODEL: FR124B6-13M



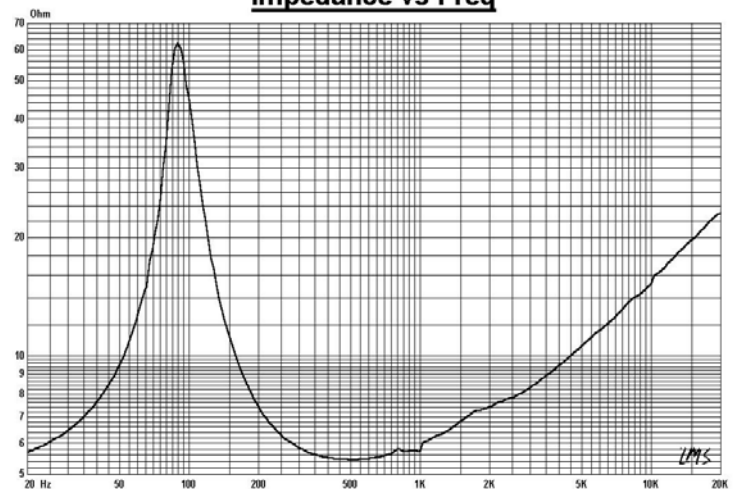
Specifications & Thiele/Small Parameter

Impedance	: 6 Ohm	
Minimum Frequency Response	: 92Hz	
Reproduction Frequency Response	: Fo~14K	
S.P.L.	: 90.334dB/W(m)	
Rated Input	: 15 W	
Music Power	: 25 W	
Equivalent Diagram Radius	: 42 mm	
Equivalent Mass	: 4.001g	
Magnet Weight	: 350g	
Net Weight	: 950g	
Fs	: 92.571Hz	
Re	: 5.0 Ohm	
Mms	: 4.324 g	
BL	: 4.978 TM	
Qts	: 0.465	
Qms	: 5.560	
Qes	: 0.508	
Vas	: 4.489 Ltr	
Xmax	: 1.5mm	
no	: 0.678%	
Material	Frame	: Cast
	Cone&Sub	: Paper
	Surround	: RUBBER
	Damper	: CONEX+COTTON
	VC DIA	: 25 KSV 0.17SV
	Magnet	: $\Phi 90 \times \Phi 40 \times 15$
	Short Ring	: Cu Ring
Center Cap	: AL Phase Plug (Gold)	

SPL vs Freq



Impedance vs Freq



GUIDE-SOUND INDUSTRIES CO.,LTD

E-Mail: Tsaichunchang@yahoo.com.tw

Welcome Inquiry&Orders For OEM&ODM