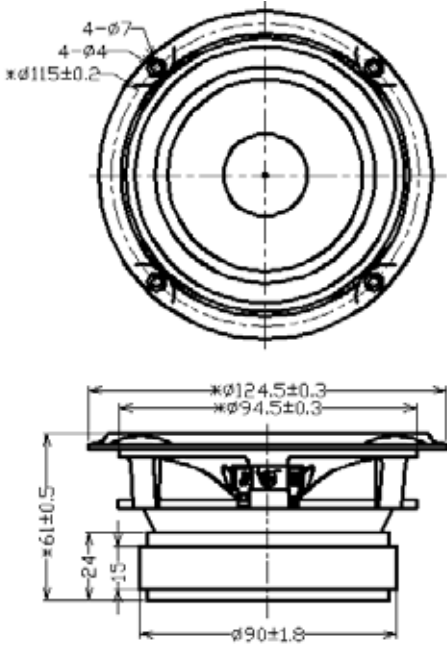


## P.P. Cone

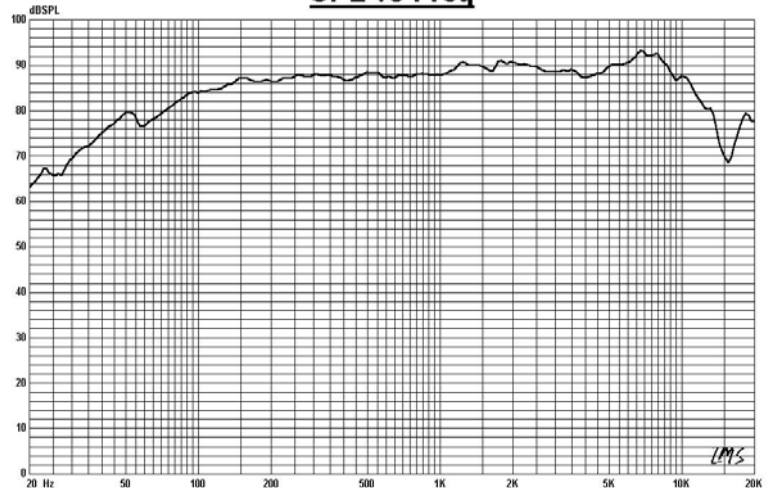
MODEL: FR124B6-12M



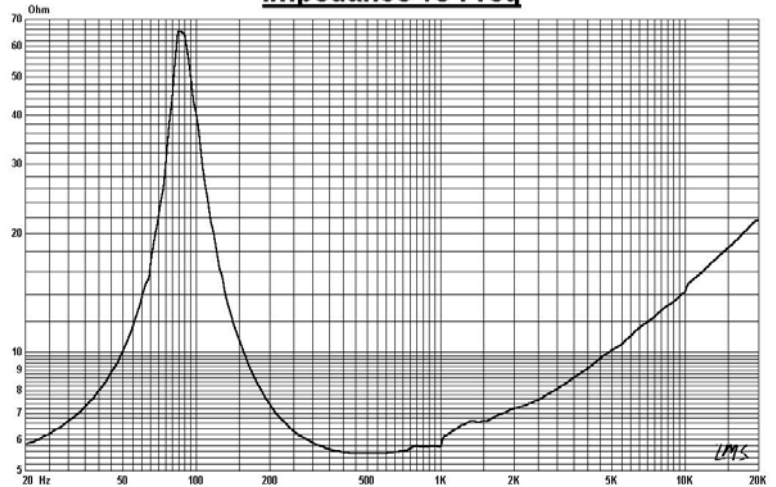
## Specifications & Thiele/Small Parameter

Impedance	: 6 Ohm
Minimum Frequency Response	: 89Hz
Reproduction Frequency Response	: Fo~11K
S.P.L.	: 90.336dB/W(m)
Rated Input	: 15 W
Music Power	: 25 W
Equivalent Diagram Radius	: 42 mm
Equivalent Mass	: 3.932g
Magnet Weight	: 350g
Net Weight	: 950g
Fs	: 89.527Hz
Re	: 5.0 Ohm
Mms	: 4.254 g
BL	: 4.899 TM
Qts	: 0.458
Qms	: 5.679
Qes	: 0.499
Vas	: 4.878 Ltr
Xmax	: 1.5mm
no	: 0.679%
Frame	: Cast
Cone&Sub	: P.P. Cone
Surround	: RUBBER
Damper	: CONEX+COTTON
VC DIA	: 25 KSV 0.17SV
Magnet	: Φ90×Φ40×15
Short Ring	: Cu Ring
Center Cap	: AL Phase Plug (Gold)

## SPL vs Freq



## Impedance vs Freq



GUIDE-SOUND INDUSTRIES CO.,LTD

E-Mail: Tsaichunchang@yahoo.com.tw

Welcome Inquiry&Orders For OEM&ODM