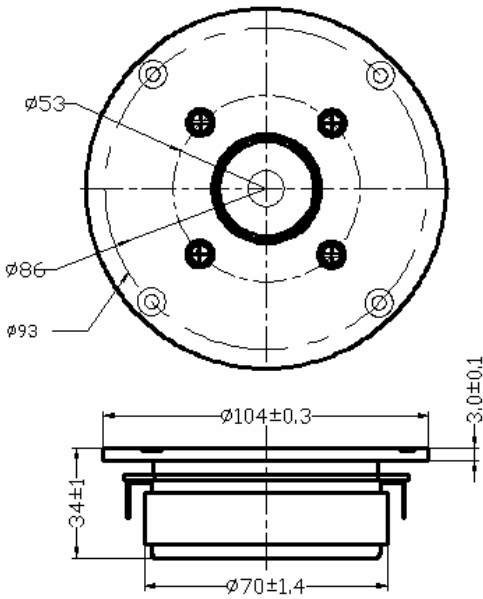


Φ1" Soft Dome Tweeter

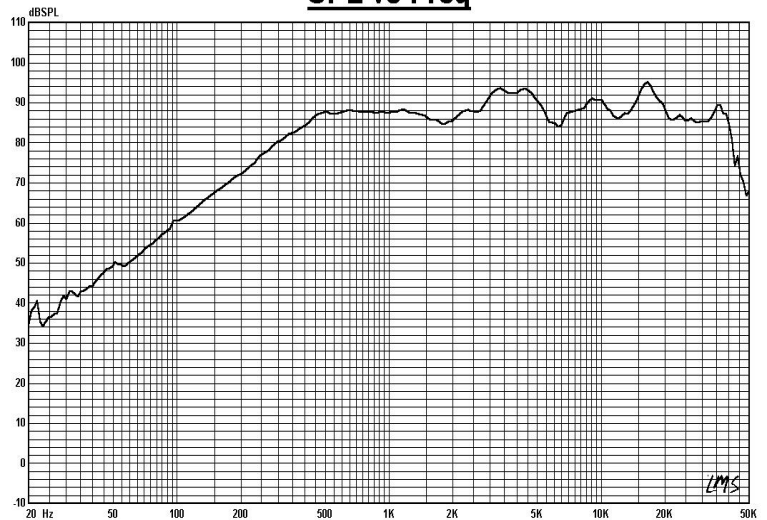
Model :FR104B8-12T



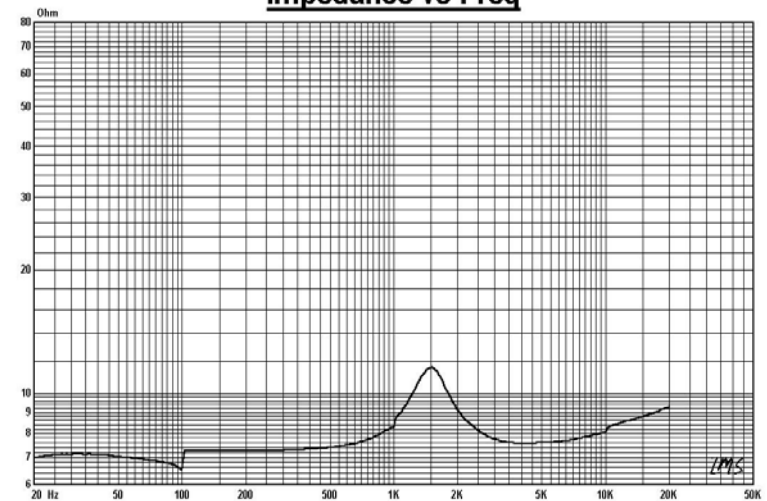
Specifications & Thiele/Small Parameters

Impedance	: 8 Ohm
Minimum Frequency Response	: 1500Hz
Reproduction Frequency Response	: Fo~20K
S.P.L.	: 90dB/W(m)
Rated Input	: 20W
Music Power	: 30W
Equivalent Diaphragm Radius	: mm
Equivalent Mass	:
Magnet Weight	: 228g
Net Weight	: 510 g
Fs	: 1500Hz
Re	: 7.2 Ohm
Mms	:
BL	:
Qts	:
Qms	:
Qes	:
Vas	:
Xmax	: 0.05mm
no	:
Material	Frame : ABS
	Cone : SILK
	Surround : SILK
	Damper :
	VC DIA : 1"
Magner	: 8.05 oz

SPL vs Freq



Impedance vs Freq



GUIDE-SOUND ELECTRONICS CO.,LTD

E-Mail: Tsaichunchang@yahoo.com.tw

Welcome Inquiry&Orders For OEM&ODM