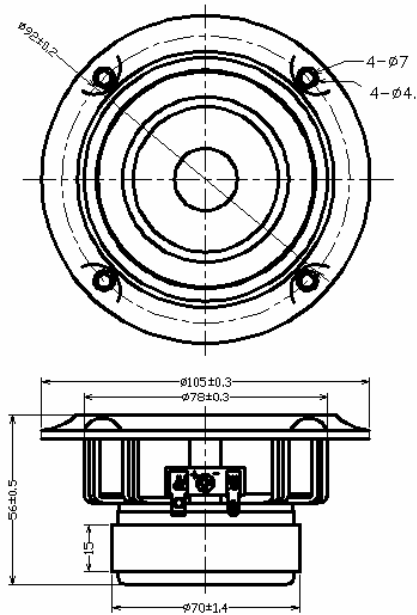


Woofer

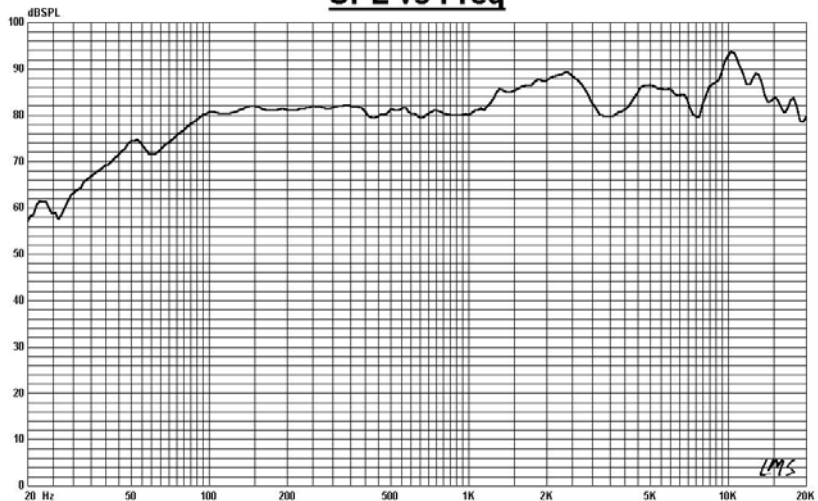
MODEL:FR104B8-12M



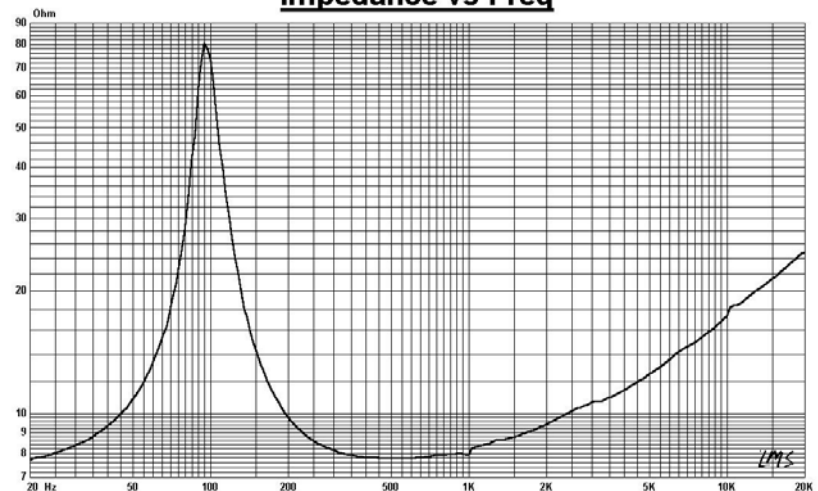
Specifications & Thiele/Small Parameter

Impedance	: 8 Ohm	
Minimum Frequency Response	: 97 Hz	
Reproduction Frequency Response	: Fo~20K	
S.P.L.	: 85.393 dB/W(m)	
Rated Input	: 8 W	
Music Power	: 12 W	
Equivalent Diaphragm Radius	: 31 mm	
Equivalent Mass	: 2.254 g	
Magnet Weight	: 200g	
Net Weight	: 600g	
Fs	: 97.598 Hz	
Re	: 7.20 Ohm	
Mms	: 2.358 g	
BL	: 3.920 TM	
Qts	: 0.614	
Qms	: 6.524	
Qes	: 0.678	
Vas	: 1.640 Ltr	
Xmax	: 3 mm	
no	: 0.218%	
Material	Frame	: Cast
	Cone	: Wooden
	Surround	: Rubber
	Damper	: Conex+Cotton (4Hole)
	VC DIA	: Φ20.4 KAP 0.18 CCAW
	Magnet	: Φ70×Φ32×15 Y30
	Short Ring	: Cu Ring
Center Cap	: AL Phase Plug (gold)	

SPL vs Freq



Impedance vs Freq



GUIDE-SOUND INDUSTRIES CO.,LTD

E-Mail: Tsaichunchang@yahoo.com.tw

Welcome Inquiry&Orders For OEM&ODM